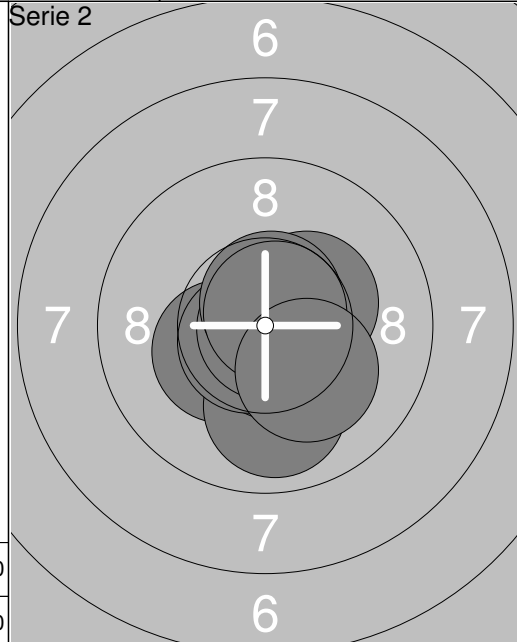
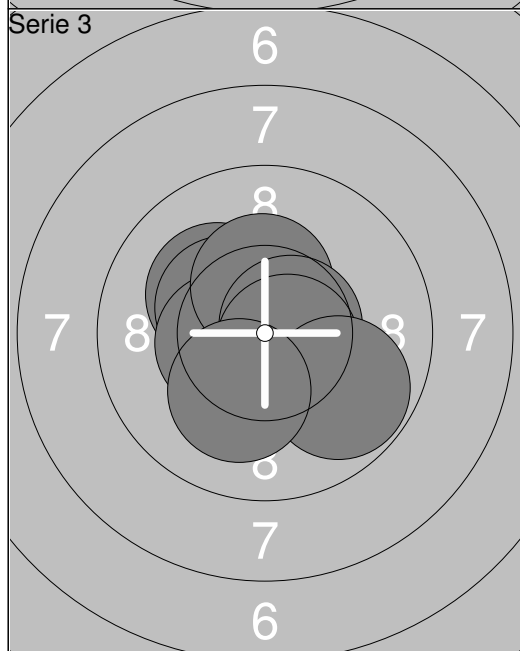


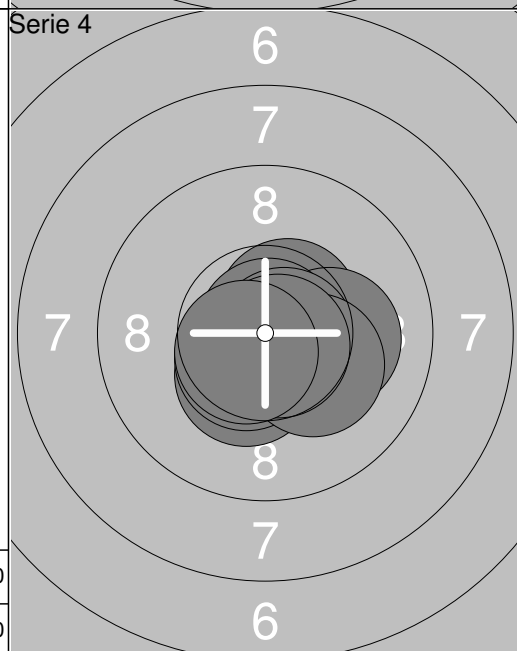
1:	*10.6	↗
2:	*10.2	↓
3:	*10.5	→
4:	*10.7	→
5:	*10.4	↓
6:	*10.9	↓
7:	*10.3	↓
8:	*10.4	↓
9:	*10.7	↗
10:	*10.3	↖
Serie		100.0
Total		100.0



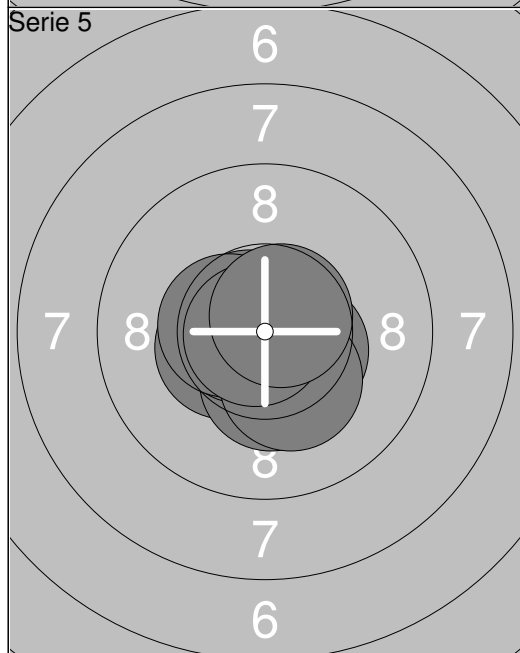
11:	*10.3	↖
12:	9.9	↓
13:	*10.8	↓
14:	*10.6	↓
15:	*10.7	↖
16:	*10.9	↘
17:	*10.4	↗
18:	*10.6	↑
19:	*10.7	↗
20:	*10.2	↘
Serie		99.0
Total		199.0



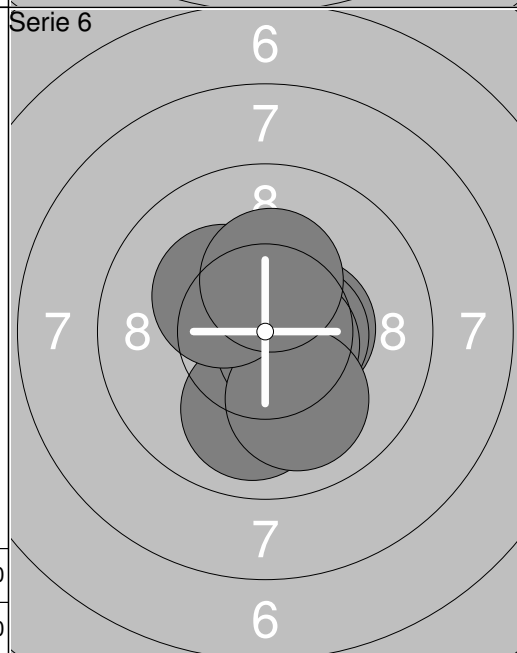
21:	*10.2	↖
22:	*10.4	↖
23:	*10.8	↖
24:	*10.7	↓
25:	*10.4	↖
26:	*10.3	↑
27:	*10.6	→
28:	*10.6	↘
29:	9.8	↓
30:	*10.2	↓
Serie		99.0
Total		298.0



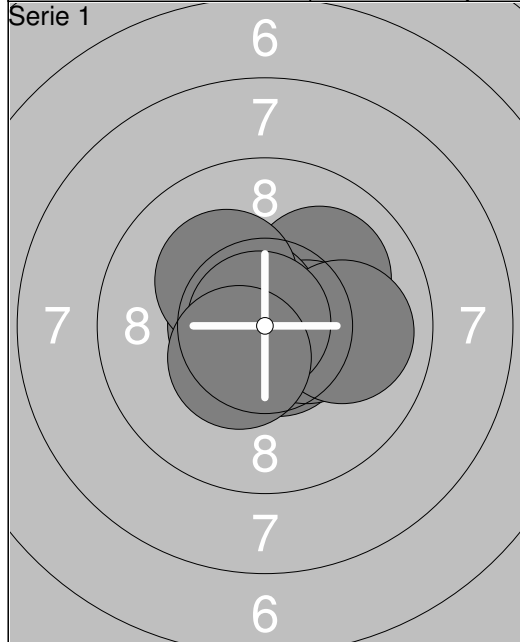
31:	*10.6	↗
32:	10.1	→
33:	*10.6	↓
34:	*10.4	↓
35:	*10.6	↖
36:	*10.9	↗
37:	*10.7	→
38:	*10.2	↘
39:	*10.7	↓
40:	*10.6	↖
Serie		100.0
Total		398.0



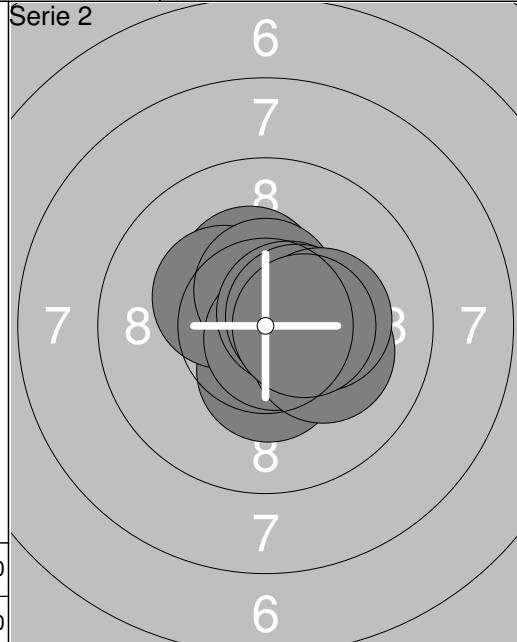
41:	*10.4	↖
42:	*10.3	↓
43:	*10.7	↖
44:	*10.7	↖
45:	*10.5	↖
46:	*10.7	↘
47:	*10.5	↘
48:	*10.3	↓
49:	*10.8	↖
50:	*10.6	↗
Serie		100.0
Total		498.0



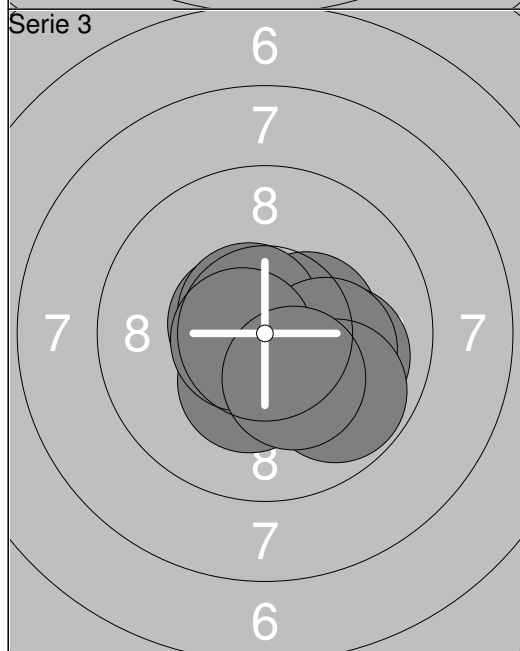
51:	*10.6	↖
52:	*10.5	↑
53:	*10.5	→
54:	*10.4	↓
55:	10.0	↓
56:	*10.5	→
57:	*10.6	↘
58:	10.0	↓
59:	*10.3	↖
60:	*10.3	↑
Serie		100.0
Total		598.0



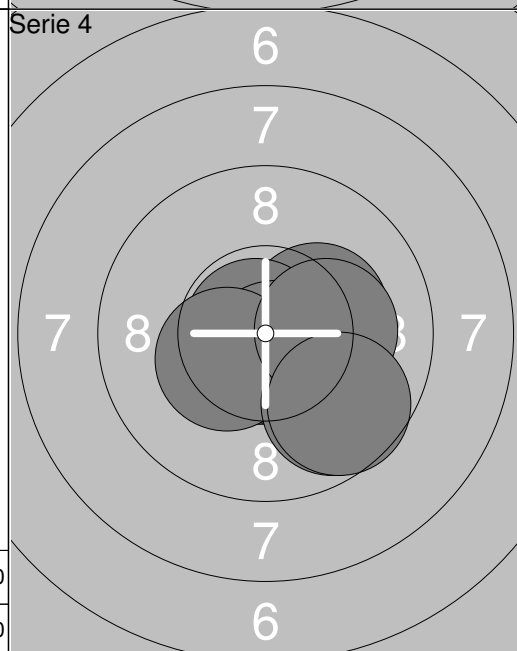
1:	*10.6	↗
2:	10.1	↗
3:	*10.7	↘
4:	*10.4	→
5:	*10.7	↗
6:	10.0	→
7:	*10.6	←
8:	*10.2	↗
9:	*10.9	↖
10:	*10.4	↘
Serie		100.0
Total		100.0



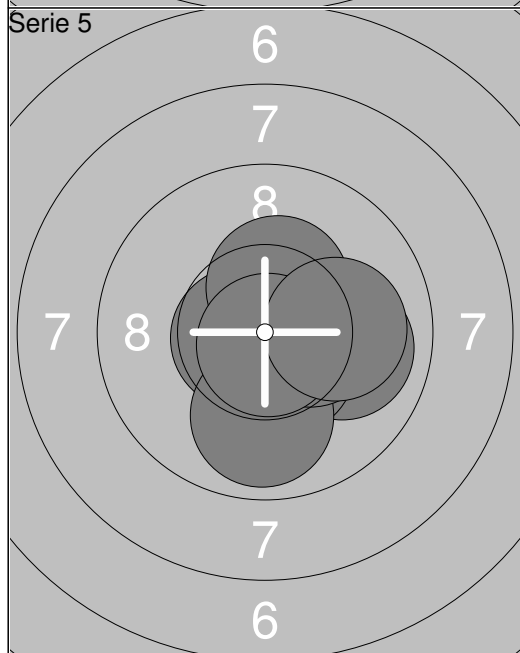
11:	*10.4	↓
12:	*10.3	↖
13:	*10.3	↖
14:	*10.5	↑
15:	*10.8	↘
16:	*10.6	↗
17:	*10.5	→
18:	*10.2	↘
19:	*10.3	→
20:	*10.5	→
Serie		100.0
Total		200.0



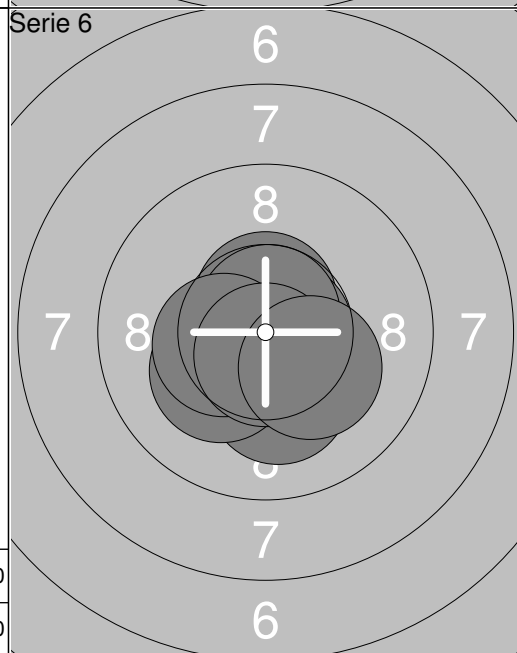
21:	*10.6	↓
22:	*10.6	↖
23:	*10.4	→
24:	10.0	→
25:	*10.6	↗
26:	10.1	→
27:	*10.3	↓
28:	9.8	↘
29:	*10.7	←
30:	*10.3	↘
Serie		99.0
Total		299.0



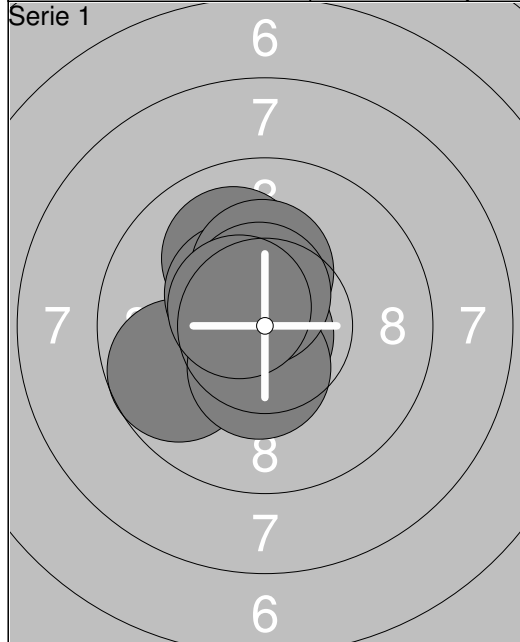
31:	*10.7	↓
32:	*10.4	↘
33:	*10.6	↘
34:	*10.3	→
35:	*10.8	↖
36:	*10.7	↘
37:	*10.4	↖
38:	9.7	↘
39:	*10.2	→
40:	9.7	↘
Serie		98.0
Total		397.0



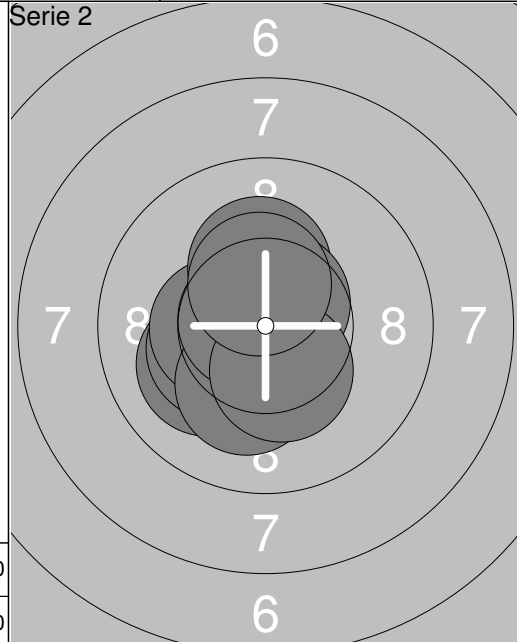
41:	10.0	→
42:	*10.7	→
43:	*10.5	↘
44:	*10.7	←
45:	*10.5	↘
46:	9.9	↓
47:	*10.4	→
48:	*10.4	↗
49:	*10.8	↘
50:	10.1	→
Serie		99.0
Total		496.0



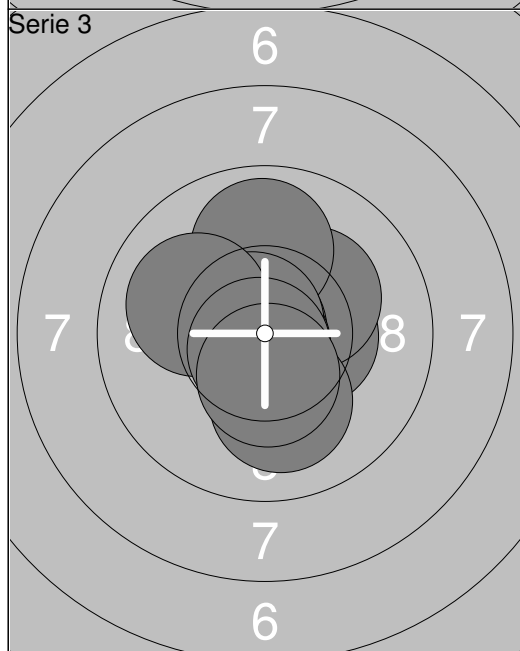
51:	*10.6	↑
52:	*10.5	↓
53:	*10.2	↘
54:	*10.9	↓
55:	*10.2	↖
56:	*10.7	→
57:	*10.8	↑
58:	*10.4	↖
59:	*10.7	↓
60:	*10.3	↘
Serie		100.0
Total		596.0



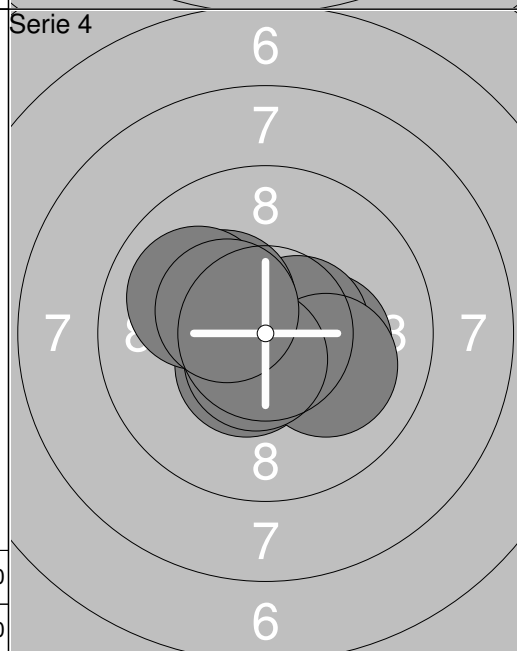
1:	9.7	↙
2:	10.0	↗
3:	*10.5	↖
4:	*10.8	↘
5:	*10.4	↗
6:	*10.8	↘
7:	*10.3	↑
8:	*10.4	↘
9:	*10.5	↑
10:	*10.5	↖
Serie		99.0
Total		99.0



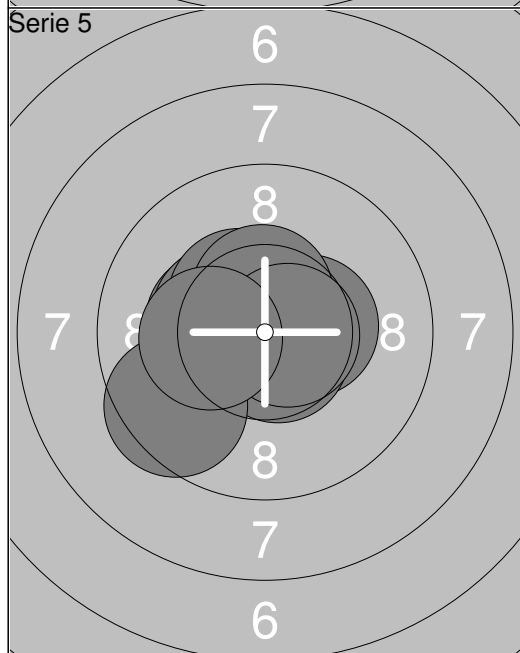
11:	*10.6	↙
12:	10.1	↙
13:	*10.3	↙
14:	*10.4	↙
15:	*10.2	↑
16:	*10.2	↘
17:	*10.7	↖
18:	*10.6	↗
19:	*10.3	↘
20:	*10.4	↑
Serie		100.0
Total		199.0



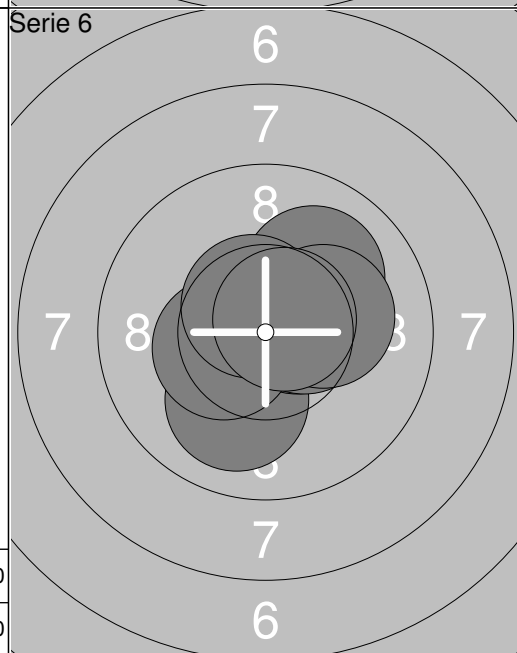
21:	*10.4	→
22:	*10.2	↗
23:	9.9	↑
24:	*10.8	↙
25:	10.1	↘
26:	*10.7	↘
27:	*10.7	↖
28:	10.0	↙
29:	*10.8	↘
30:	*10.4	↘
Serie		99.0
Total		298.0



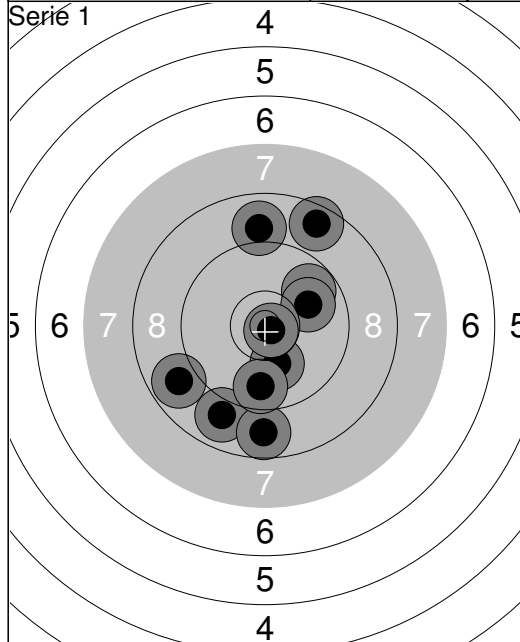
31:	*10.5	↘
32:	*10.3	→
33:	*10.7	↘
34:	*10.6	→
35:	10.1	↘
36:	*10.6	↘
37:	*10.3	↖
38:	*10.3	↗
39:	10.0	↖
40:	*10.4	↖
Serie		100.0
Total		398.0



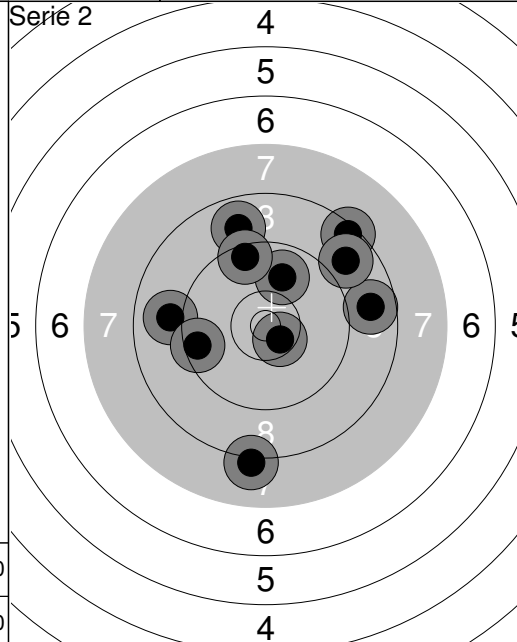
41:	*10.3	↙
42:	*10.4	→
43:	*10.5	↙
44:	*10.4	↙
45:	*10.5	↗
46:	*10.7	↘
47:	*10.5	↑
48:	9.5	↙
49:	*10.7	→
50:	*10.3	↙
Serie		99.0
Total		497.0



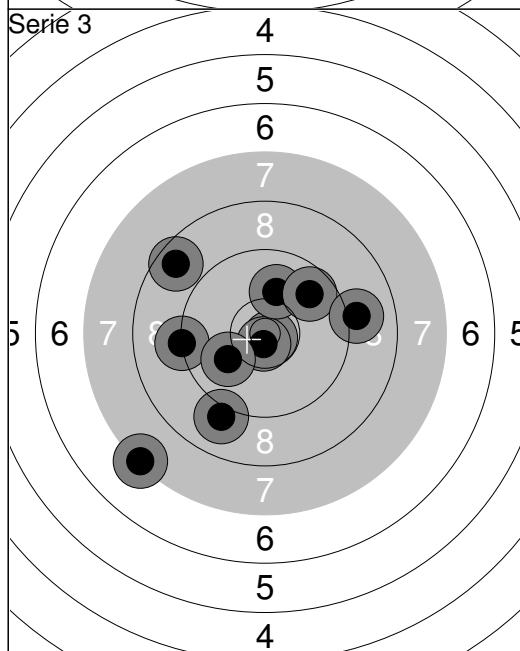
51:	10.0	↗
52:	*10.8	↙
53:	10.0	↘
54:	*10.5	→
55:	*10.8	↗
56:	*10.4	↙
57:	*10.4	→
58:	*10.2	→
59:	*10.6	↖
60:	*10.7	↗
Serie		100.0
Total		597.0



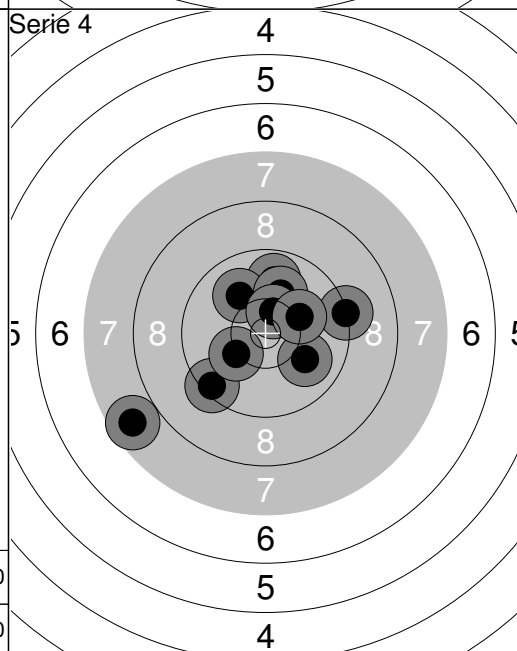
1:	9.8	↗
2:	8.6	↗
3:	10.0	→
4:	8.9	↘
5:	10.1	↘
6:	*10.8	↘
7:	8.9	↑
8:	8.8	↘
9:	8.8	↙
10:	9.7	↘
Serie	88.0	
Total	88.0	



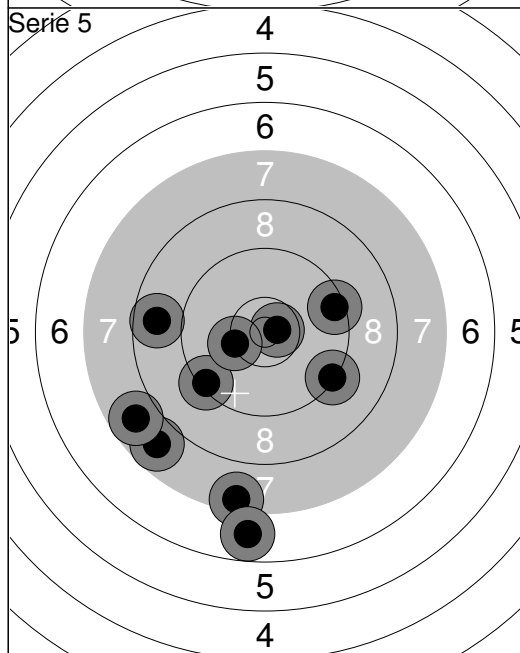
11:	8.7	→
12:	9.9	↗
13:	*10.5	↘
14:	9.0	←
15:	9.5	←
16:	8.9	↑
17:	9.5	↑
18:	8.4	↗
19:	8.1	↘
20:	8.8	↗
Serie	86.0	
Total	174.0	



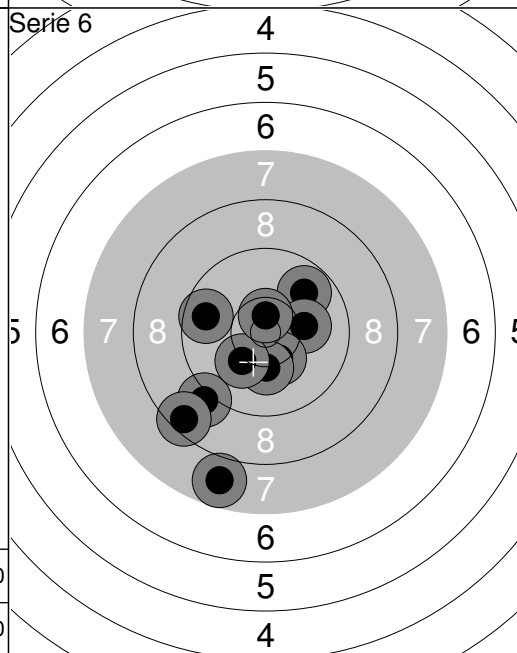
21:	*10.8	↘
22:	9.2	←
23:	8.6	↖
24:	9.0	↘
25:	*10.7	↘
26:	10.1	↑
27:	9.7	↗
28:	7.3	↙
29:	10.0	↙
30:	9.0	→
Serie	91.0	
Total	265.0	



31:	9.2	→
32:	9.8	↑
33:	9.4	↙
34:	10.0	↘
35:	10.0	↖
36:	10.1	↑
37:	*10.5	↑
38:	10.2	↗
39:	7.7	↙
40:	10.2	↙
Serie	94.0	
Total	359.0	



41:	9.4	↙
42:	8.7	←
43:	7.5	↘
44:	*10.7	→
45:	7.8	↙
46:	9.4	↗
47:	9.3	↘
48:	6.8	↘
49:	10.3	←
50:	7.8	↙
Serie	82.0	
Total	441.0	

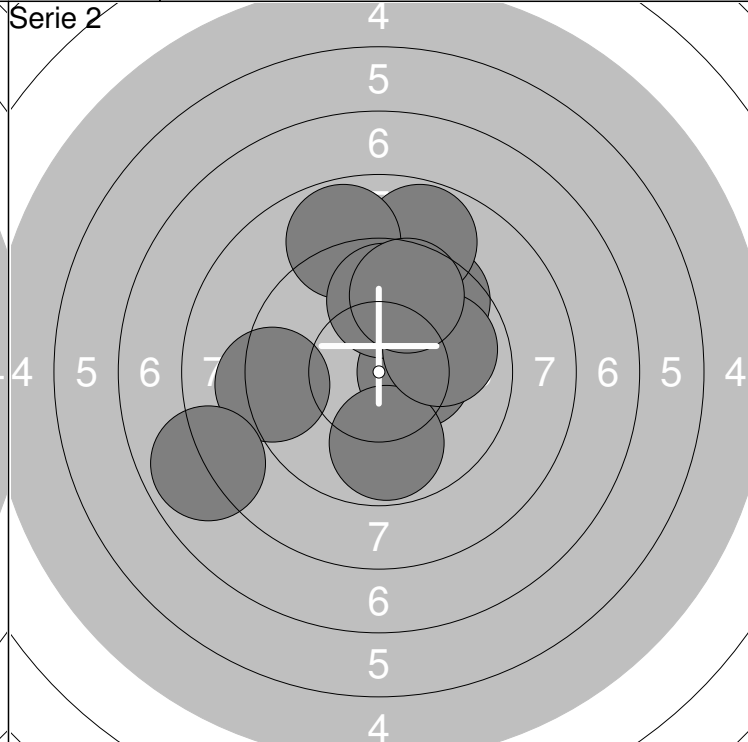
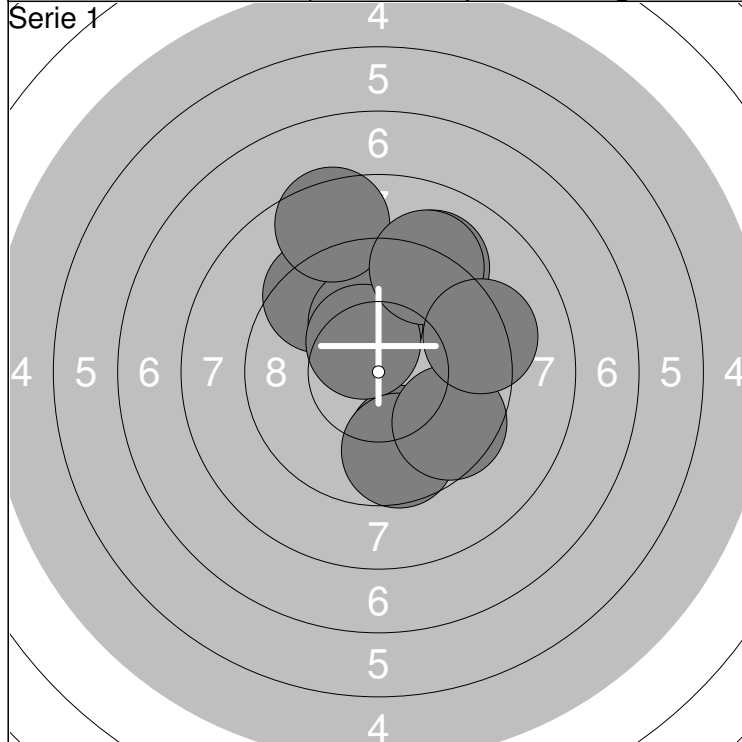


51:	9.8	↗
52:	9.7	←
53:	10.2	→
54:	7.8	↘
55:	10.3	↘
56:	10.2	↘
57:	9.1	↙
58:	10.2	↙
59:	8.5	↙
60:	*10.6	↑
Serie	92.0	
Total	533.0	

Serie 1 	1: 9.1 ↘ 2: 9.5 ↘ 3: 6.5 ↘ 4: 7.7 ↗ 5: 6.6 ← 6: 10.1 ↗ 7: 8.6 ← 8: 7.5 ↘ 9: 7.7 ↗ 10: 9.3 ← <hr/> Serie 78.0 Total 78.0	Serie 2 	11: 6.9 ← 12: 9.9 ↘ 13: 8.3 ↘ 14: 9.1 ↘ 15: 8.8 ↘ 16: 9.3 ↗ 17: 9.5 ↗ 18: 9.9 ↗ 19: 9.1 ↗ 20: 8.4 ← <hr/> Serie 84.0 Total 162.0
--------------------	--	--------------------	---

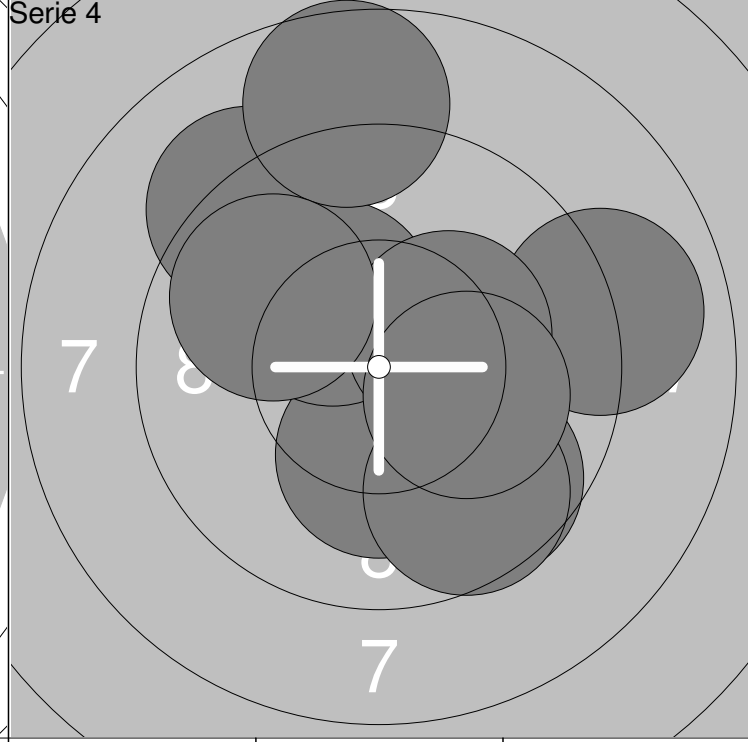
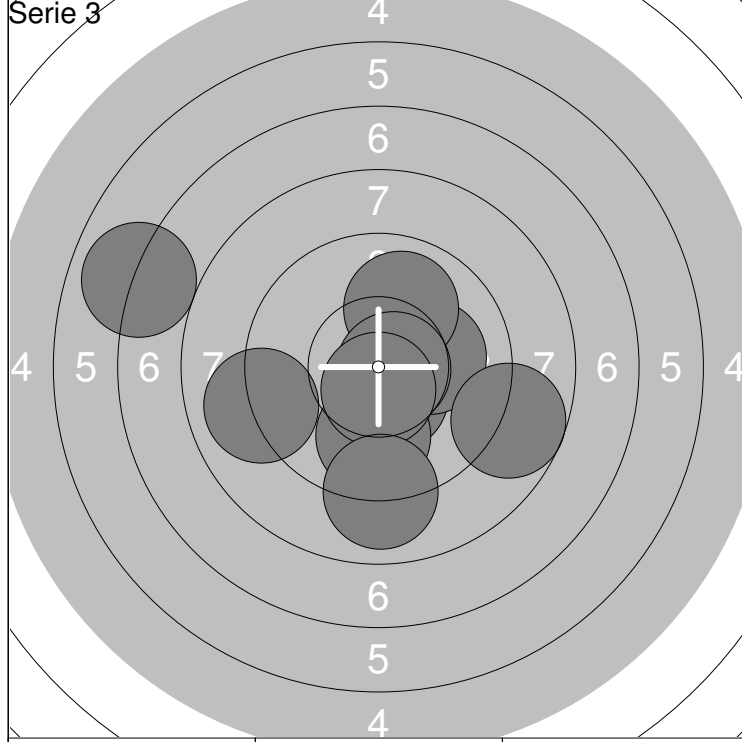
Serie 3 	21: 9.3 ↗ 22: 9.0 ↗ 23: 8.9 ↗ 24: 10.2 ↘ 25: 7.4 ↘ 26: 9.1 ↗ 27: 7.3 ↘ 28: 8.6 ↗ 29: 8.0 → 30: 8.7 ↗ <hr/> Serie 83.0 Total 245.0	Serie 4 	31: 9.4 → 32: 8.2 ↘ 33: 8.6 ↘ 34: 8.3 ← 35: 9.1 ↘ 36: 9.3 ↘ 37: 7.9 ↗ 38: 8.6 ↗ 39: 7.1 ← 40: 8.6 ↗ <hr/> Serie 81.0 Total 326.0
--------------------	--	--------------------	---

Serie 5 	41: 8.0 ↗ 42: 9.7 ↘ 43: 9.3 → 44: 7.8 ↗ 45: 8.5 ↘ 46: 10.0 → 47: 6.5 ↗ 48: 9.4 ↘ 49: 7.6 ← 50: 9.4 ↘ <hr/> Serie 82.0 Total 408.0	Serie 6 	51: 7.9 ↘ 52: 9.6 ↗ 53: 7.2 ↘ 54: 8.0 ↘ 55: 10.1 ↗ 56: 8.5 ← 57: 9.8 ↗ 58: 9.3 ↗ 59: 9.1 ↘ 60: 10.0 ↘ <hr/> Serie 86.0 Total 494.0
--------------------	--	--------------------	---



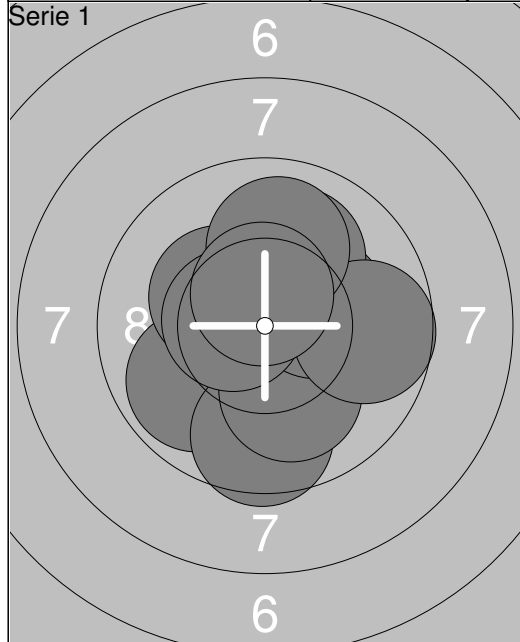
1: 9.1 ↗	6: *10.4 ↗	Serie 91.0
2: 9.7 ↓	7: 9.1 ↗	
3: 9.4 ↗	8: 9.7 ↓	Total 91.0
4: *10.2 ↗	9: 9.6 ↓	
5: 8.5 ↗	10: 9.3 →	

11: *10.4 →	16: 8.8 ↗	Serie 87.0
12: 9.8 ↓	17: 9.8 ↗	
13: 9.3 ←	18: 9.9 →	Total 178.0
14: 9.6 ↗	19: 9.7 ↗	
15: 8.8 ↗	20: 7.9 ↙	

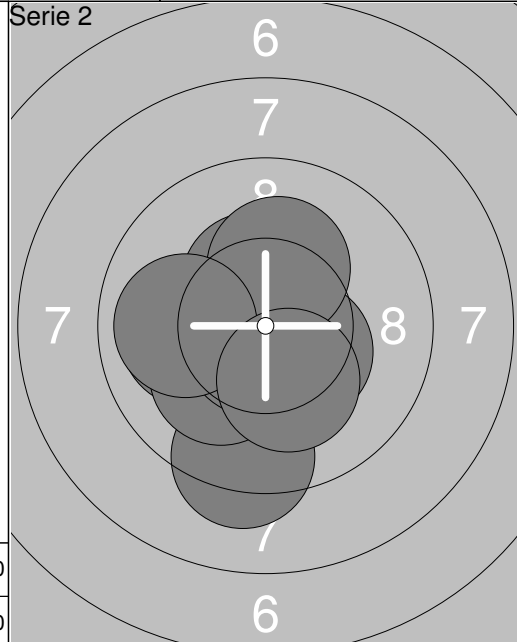


21: 9.0 ←	26: 9.9 ↓	Serie 92.0
22: *10.5 ↓	27: *10.6 ↓	
23: 10.1 →	28: 8.7 →	Total 270.0
24: 10.0 ↗	29: 7.0 ←	
25: *10.7 →	30: 9.0 ↓	

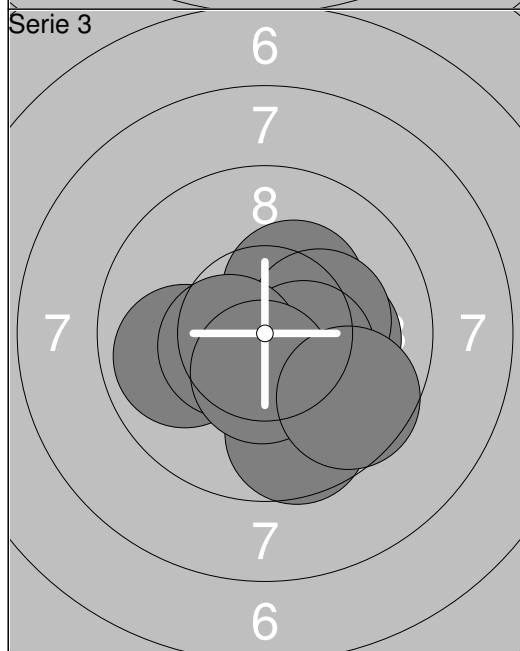
31: *10.2 ↓	36: *10.3 ↗	Serie 93.0
32: 9.6 ↓	37: 8.7 ↗	
33: 9.6 ↓	38: *10.3 →	Total 363.0
34: 9.0 →	39: 10.1 →	
35: 9.2 ↗	40: 9.8 ↗	



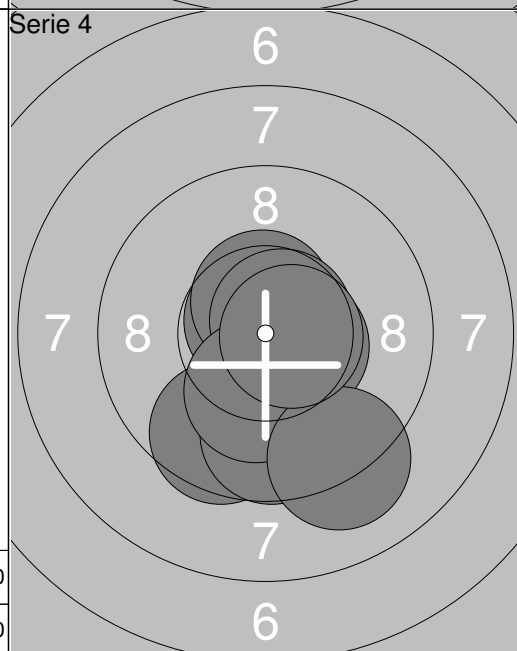
1:	9.9	↙
2:	9.6	↓
3:	10.1	↓
4:	*10.3	→
5:	10.0	↑
6:	*10.3	↖
7:	9.7	→
8:	10.0	↑
9:	*10.5	←
10:	*10.5	↑
Serie		97.0
Total		97.0



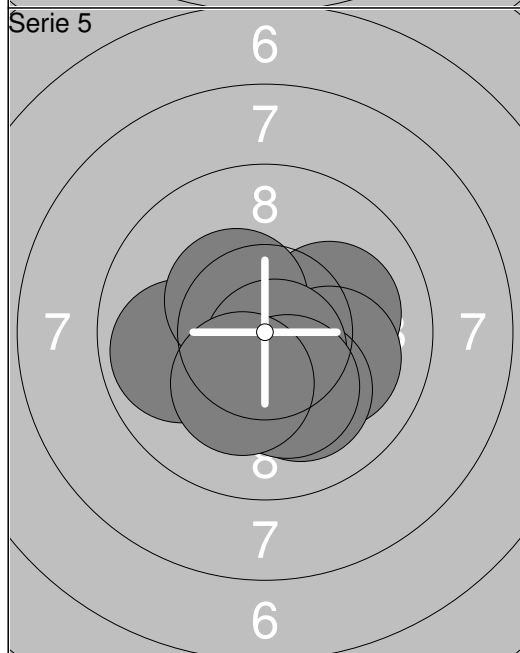
11:	9.3	↓
12:	*10.8	↙
13:	*10.4	↑
14:	10.0	←
15:	*10.4	↘
16:	10.1	↙
17:	*10.7	↓
18:	*10.2	↑
19:	9.9	←
20:	*10.2	↓
Serie		98.0
Total		195.0



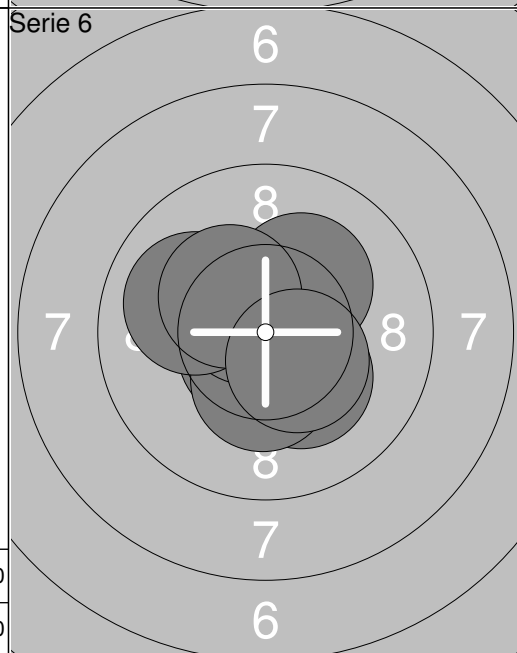
21:	*10.8	→
22:	*10.3	↗
23:	10.1	→
24:	9.9	←
25:	*10.2	→
26:	*10.4	↘
27:	*10.5	←
28:	9.6	↓
29:	*10.5	↓
30:	9.6	↘
Serie		97.0
Total		292.0



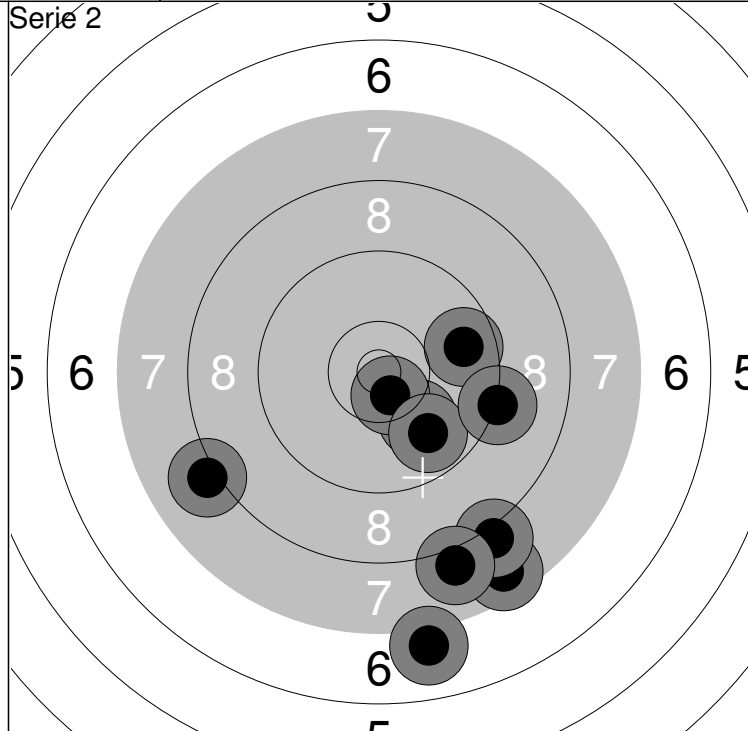
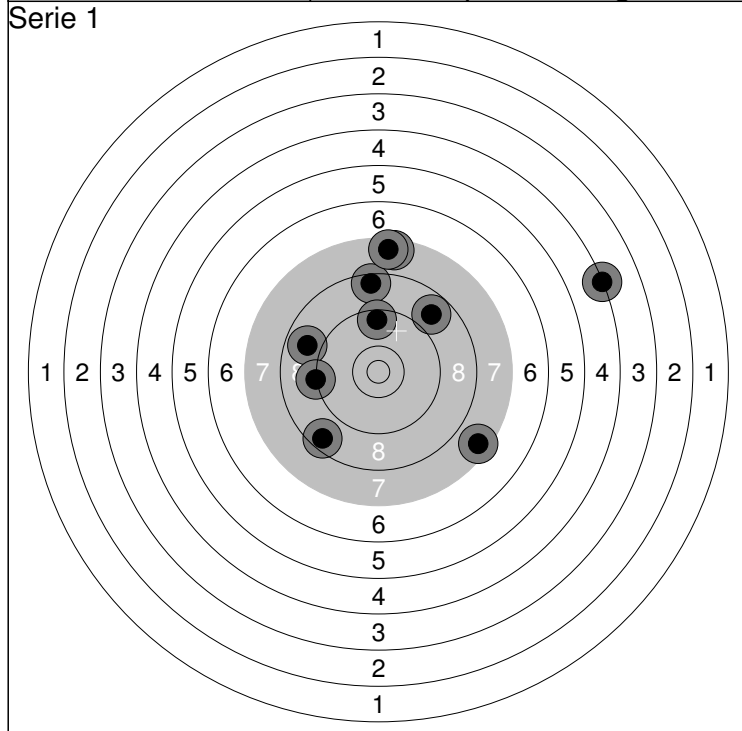
31:	9.6	↓
32:	9.7	↓
33:	*10.6	↘
34:	*10.5	↘
35:	*10.7	↗
36:	*10.6	↑
37:	*10.7	↗
38:	*10.2	↓
39:	9.1	↓
40:	*10.6	→
Serie		97.0
Total		389.0



41:	*10.2	↘
42:	10.1	→
43:	9.9	←
44:	*10.5	↓
45:	10.1	↘
46:	*10.4	↗
47:	10.1	↓
48:	*10.7	↓
49:	*10.2	↓
50:	*10.2	↓
Serie		99.0
Total		488.0

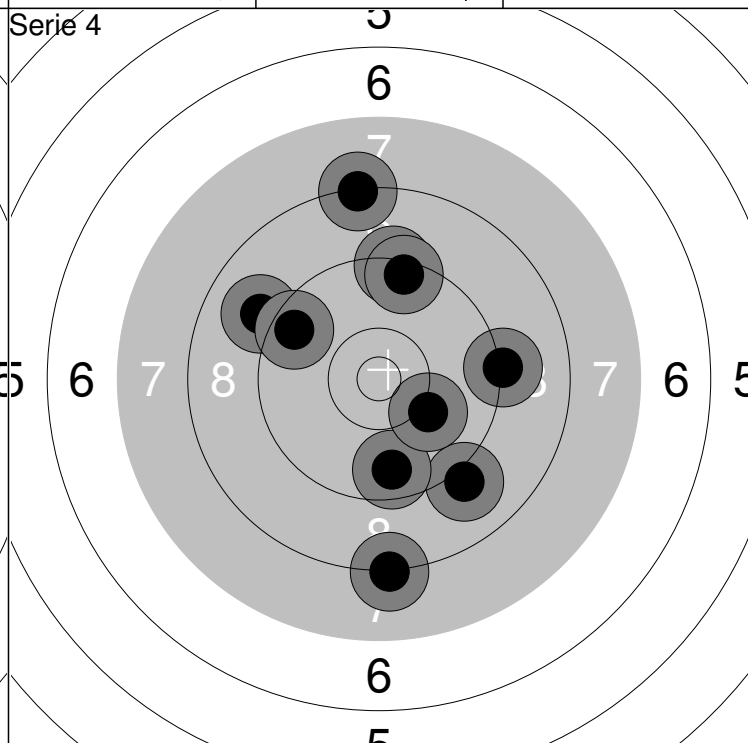
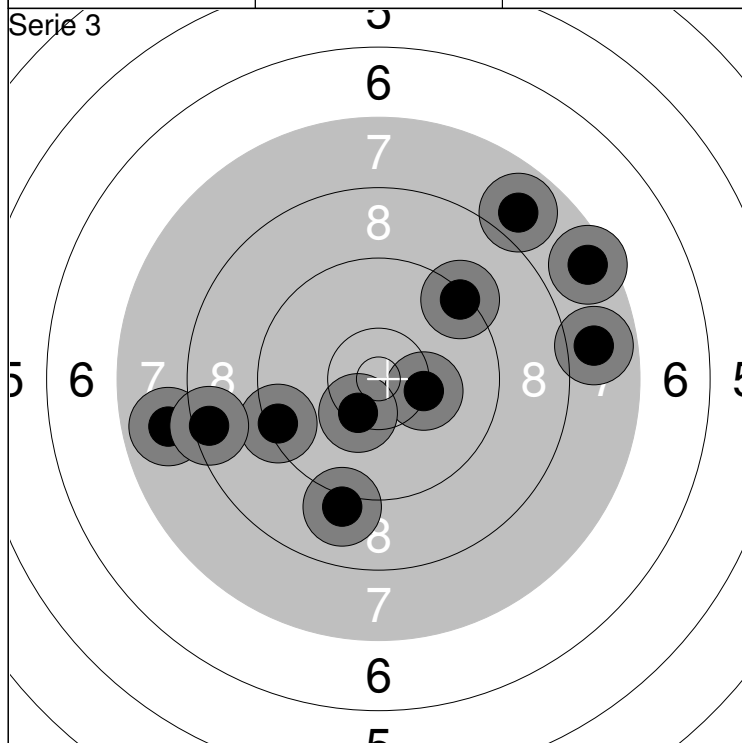


51:	*10.2	↘
52:	*10.9	↖
53:	*10.9	↑
54:	*10.6	↙
55:	*10.3	↓
56:	*10.6	↗
57:	10.0	↖
58:	*10.2	↗
59:	*10.3	↗
60:	*10.4	↘
Serie		100.0
Total		588.0



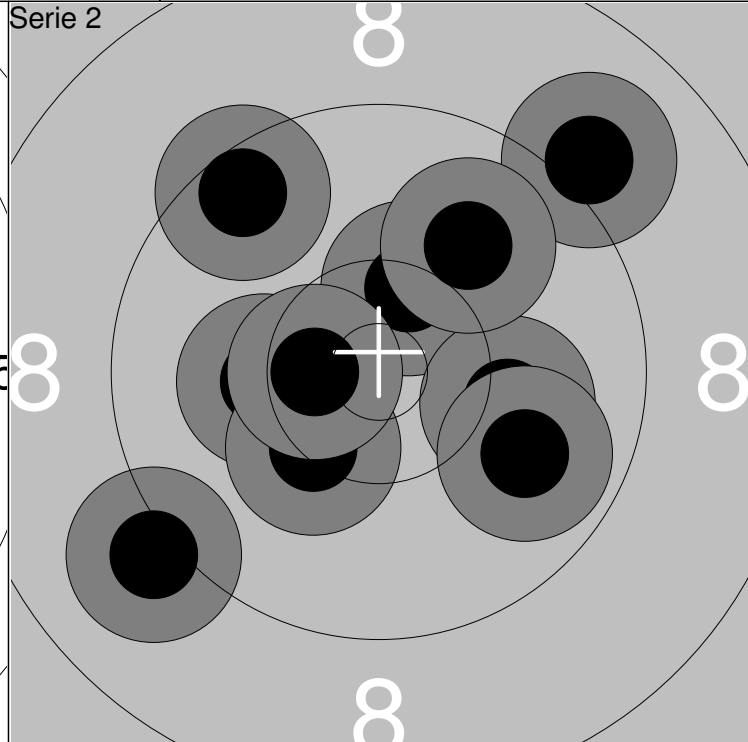
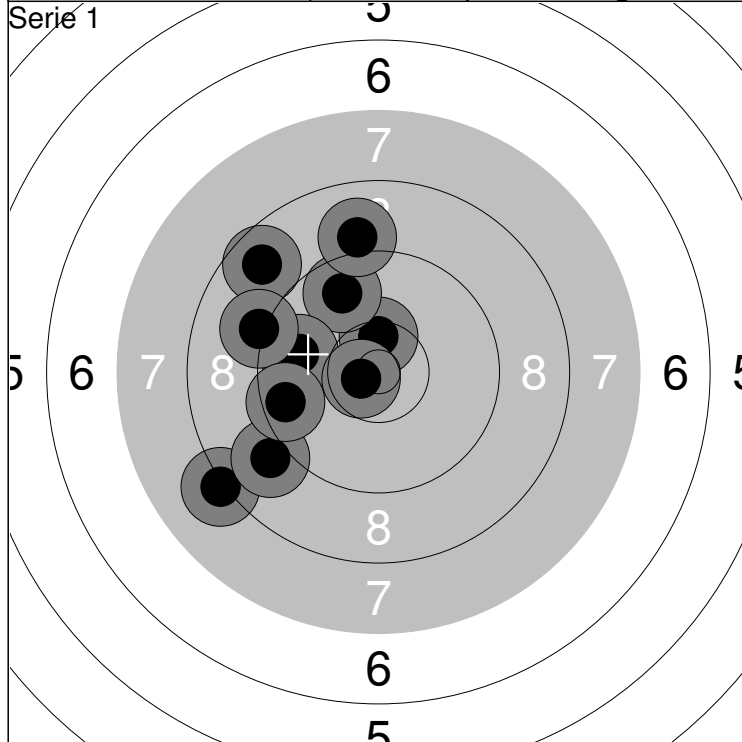
1: 8.5	↑	6: 4.3	→	Serie	75.0
2: 7.5	↑	7: 9.2	←		
3: 9.5	↑	8: 7.5	↑	Total	75.0
4: 8.8	↗	9: 7.5	↘		
5: 8.8	↖	10: 8.5	↙		

11: 10.1	↘	16: 8.1	↘	Serie	85.0
12: 7.6	↘	17: 9.8	↘		
13: 8.1	↖	18: 9.7	→	Total	160.0
14: 7.0	↘	19: 9.2	→		
15: *10.6	↘	20: 8.0	↘		



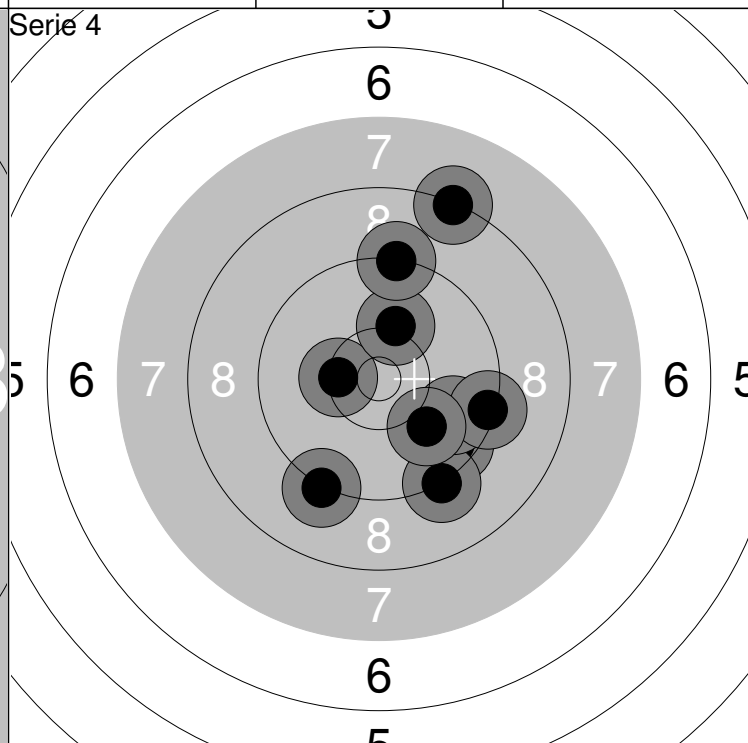
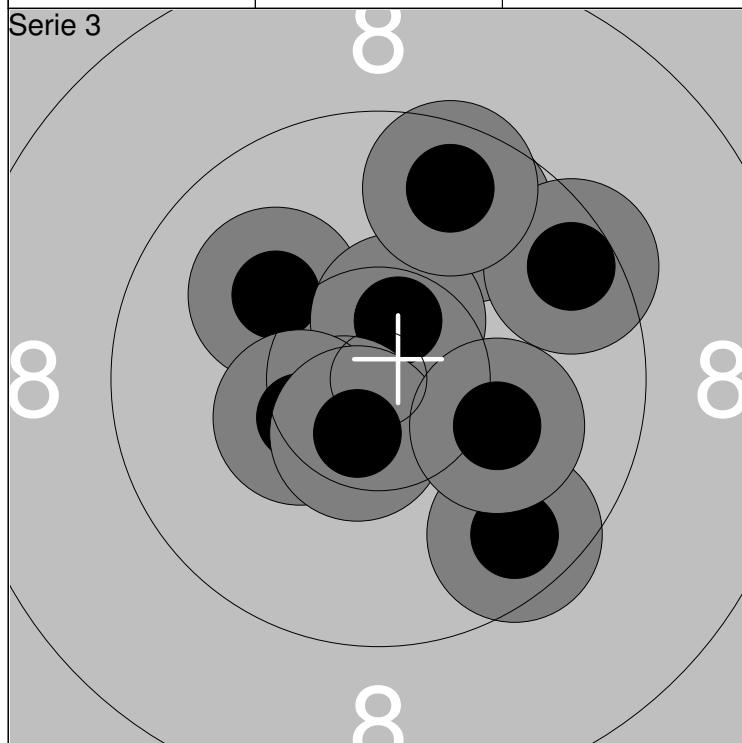
21: 10.3	→	26: 7.9	↗	Serie	83.0
22: 7.9	←	27: 9.3	↗		
23: 7.9	→	28: 9.4	←	Total	243.0
24: *10.4	↘	29: 7.6	↗		
25: 9.1	↘	30: 8.5	←		

31: 9.1	↘	36: 8.3	↑	Serie	89.0
32: 9.6	↘	37: 9.6	↖		
33: 9.0	↖	38: 8.2	↘	Total	332.0
34: 9.3	↑	39: 9.2	→		
35: 10.1	↘	40: 9.4	↑		



1: *10.4	↑	6: 8.2	↙	Serie	90.0
2: 9.7	↗	7: 9.0	↙		
3: 9.0	↑	8: 9.1	↖	Total	90.0
4: 9.8	↖	9: *10.7	↙		
5: 8.7	↖	10: 9.6	↖		

11: *10.4	↗	16: 10.3	↙	Serie	96.0
12: 9.5	↖	17: 9.0	↗		
13: 10.2	↖	18: *10.5	↖	Total	186.0
14: 9.1	↙	19: 10.0	↗		
15: 10.1	↗	20: 9.9	↘		



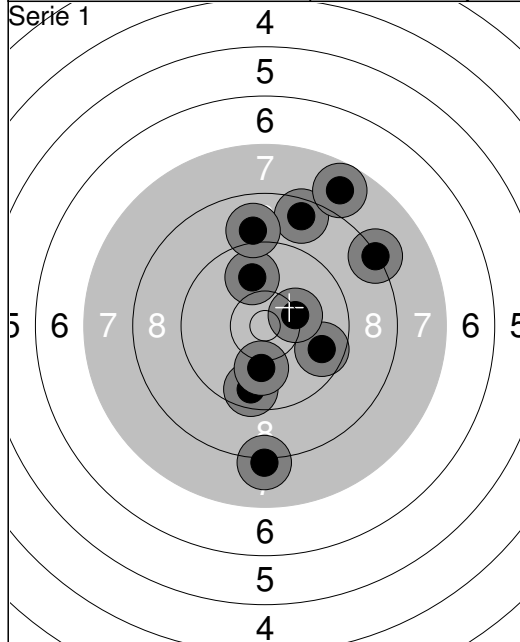
21: 10.1	↖	26: *10.6	↙	Serie	96.0
22: 9.8	↗	27: 9.6	↗		
23: 9.5	↗	28: *10.4	↖	Total	282.0
24: *10.6	↗	29: *10.6	↙		
25: 9.6	↘	30: 10.1	↗		

31: 9.5	↘	36: 9.8	↗	Serie	92.0
32: *10.4	↖	37: 9.3	↗		
33: 10.2	↗	38: 8.3	↗	Total	374.0
34: 9.2	↘	39: 10.0	↘		
35: 9.2	↙	40: 9.3	↗		

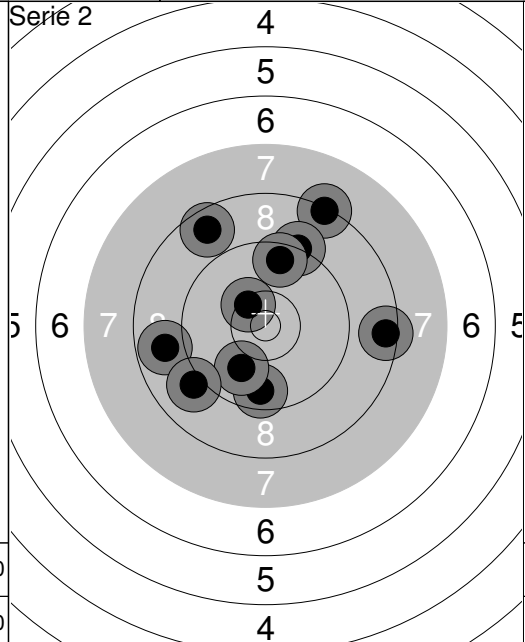
<p>Serie 1</p>	<p>1: *10.4 ↗</p> <p>2: *10.5 ↙</p> <p>3: 9.7 ↗</p> <p>4: 9.1 →</p> <p>5: 10.1 →</p> <p>6: 9.9 ←</p> <p>7: 9.8 ↑</p> <p>8: *10.4 ↗</p> <p>9: 9.3 ↓</p> <p>10: 7.8 ↙</p>	<p>Serie 2</p>	<p>11: *10.5 ↓</p> <p>12: 9.6 ↑</p> <p>13: 8.7 ↑</p> <p>14: 10.3 ↙</p> <p>15: 9.4 ↙</p> <p>16: *10.6 ↗</p> <p>17: 9.0 ←</p> <p>18: 9.7 ↓</p> <p>19: 10.2 ↓</p> <p>20: 10.3 ↙</p>
Serie 92.0	Total 92.0	Serie 94.0	Total 186.0

<p>Serie 3</p>	<p>21: 9.0 →</p> <p>22: 8.6 →</p> <p>23: 9.7 ←</p> <p>24: 9.5 →</p> <p>25: 9.3 ↓</p> <p>26: 9.5 →</p> <p>27: 9.7 →</p> <p>28: 8.4 ←</p> <p>29: 9.0 ↑</p> <p>30: 10.1 ↓</p>	<p>Serie 4</p>	<p>31: 8.7 →</p> <p>32: 10.1 →</p> <p>33: 10.2 ↗</p> <p>34: 8.9 ↗</p> <p>35: 10.3 ↙</p> <p>36: *10.6 ↓</p> <p>37: 9.4 ←</p> <p>38: 8.9 ↗</p> <p>39: 9.2 ↗</p> <p>40: 10.2 ←</p>
Serie 89.0	Total 275.0	Serie 92.0	Total 367.0

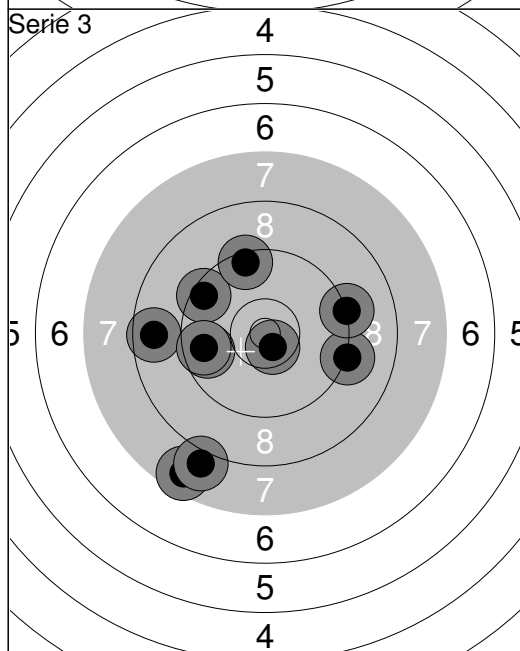
<p>Serie 5</p>	<p>41: 10.3 ↙</p> <p>42: 8.7 ←</p> <p>43: 9.4 ↗</p> <p>44: 9.1 ↓</p> <p>45: *10.6 →</p> <p>46: 9.6 ↗</p> <p>47: 9.6 ↗</p> <p>48: 9.3 ↙</p> <p>49: 8.9 ↓</p> <p>50: 10.2 →</p>	<p>Serie 6</p>	<p>51: *10.6 ←</p> <p>52: 10.2 ↓</p> <p>53: 8.7 ↙</p> <p>54: 8.7 ↗</p> <p>55: 10.1 ↙</p> <p>56: 9.8 ↑</p> <p>57: *10.4 ↗</p> <p>58: *10.8 ↓</p> <p>59: 9.4 ↗</p> <p>60: 9.8 ←</p>
Serie 91.0	Total 458.0	Serie 93.0	Total 551.0



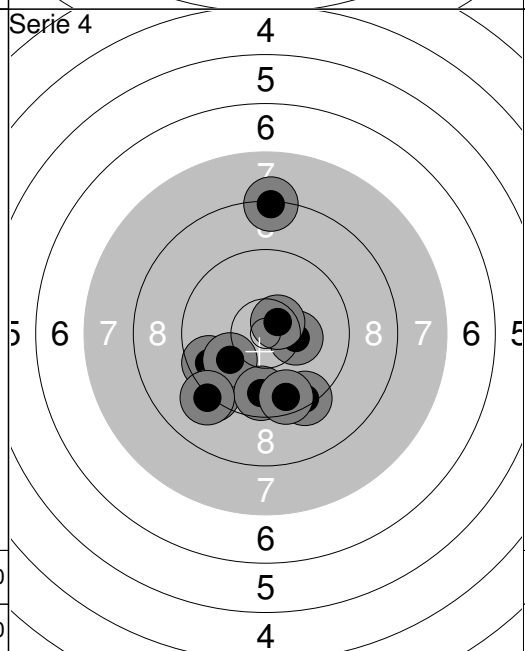
1:	8.3	↗
2:	9.9	↑
3:	8.6	↑
4:	9.7	→
5:	9.6	↓
6:	7.8	↗
7:	8.1	↓
8:	10.3	→
9:	9.0	↑
10:	10.1	↓
Serie	87.0	
Total	87.0	



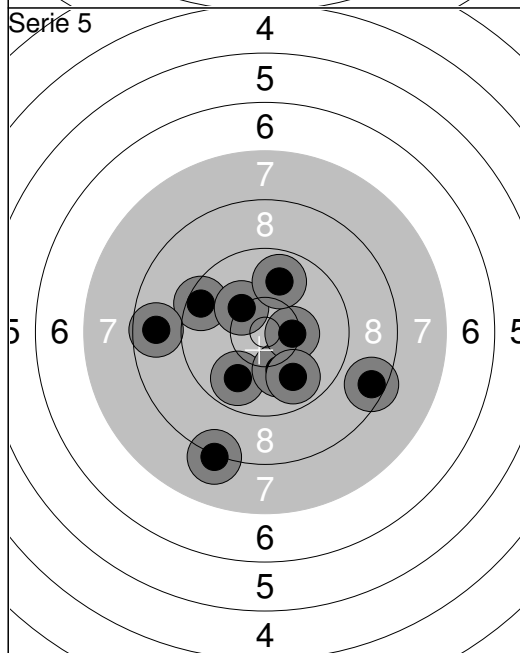
11:	9.6	↓
12:	8.3	↗
13:	8.5	→
14:	9.9	↘
15:	9.2	↗
16:	8.8	←
17:	9.0	↙
18:	*10.4	↖
19:	9.6	↑
20:	8.6	↖
Serie	87.0	
Total	174.0	



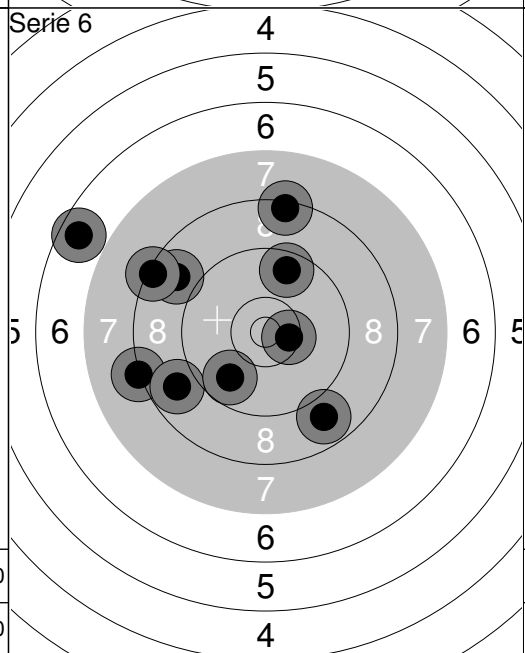
21:	9.2	→
22:	9.5	↖
23:	8.7	←
24:	9.2	→
25:	7.6	↘
26:	8.0	↘
27:	9.4	↑
28:	9.7	←
29:	9.7	←
30:	*10.6	↘
Serie	87.0	
Total	261.0	



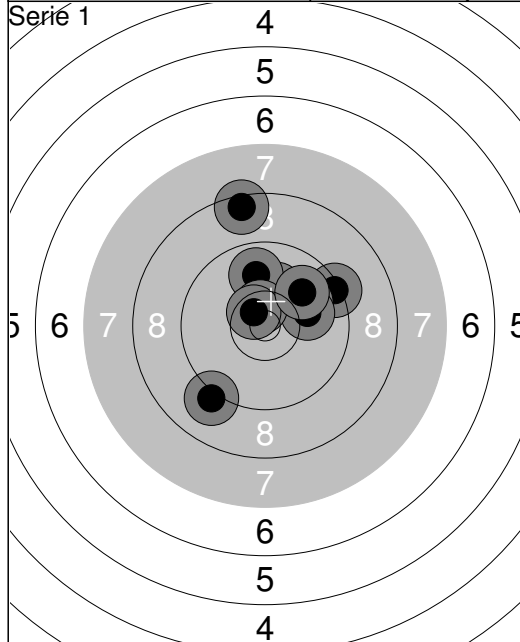
31:	9.6	↙
32:	9.3	↙
33:	9.4	↘
34:	10.0	↙
35:	9.7	↓
36:	9.6	↘
37:	10.3	→
38:	8.3	↑
39:	9.2	↙
40:	*10.6	↗
Serie	92.0	
Total	353.0	



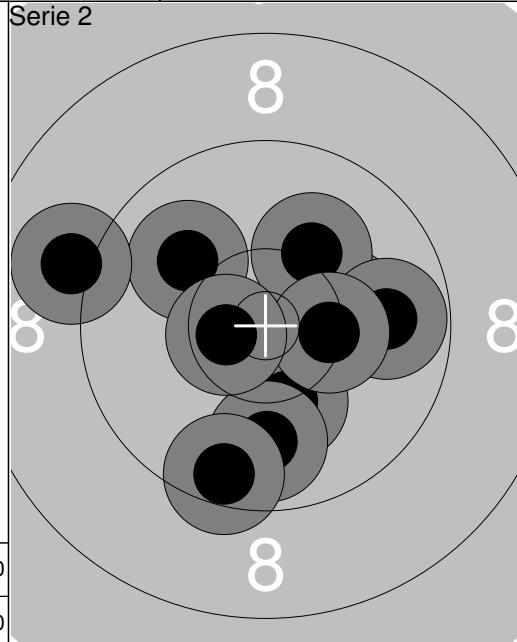
41:	9.9	↘
42:	9.5	↖
43:	8.7	←
44:	10.1	↘
45:	8.5	→
46:	8.2	↘
47:	*10.4	→
48:	9.9	↘
49:	10.3	↗
50:	9.9	↑
Serie	90.0	
Total	443.0	



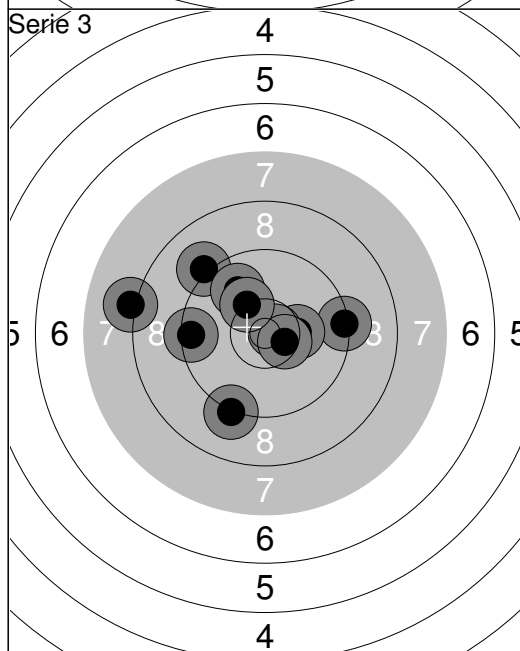
51:	8.2	←
52:	8.4	↑
53:	8.8	↙
54:	9.8	↘
55:	6.6	↖
56:	8.8	↖
57:	8.3	↖
58:	9.6	↑
59:	8.8	↘
60:	*10.5	→
Serie	82.0	
Total	525.0	



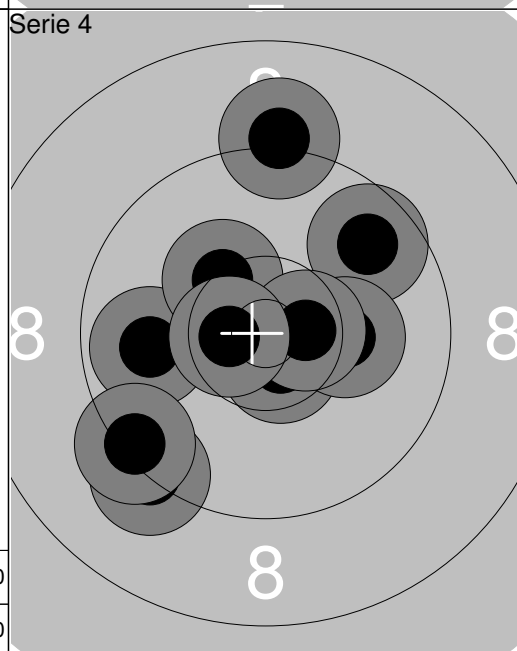
1:	10.2	↗
2:	9.3	↘
3:	9.9	↗
4:	10.0	↘
5:	10.0	→
6:	*10.5	↗
7:	*10.6	↖
8:	9.1	↘
9:	9.9	↗
10:	8.5	↗
Serie		94.0
Total		94.0



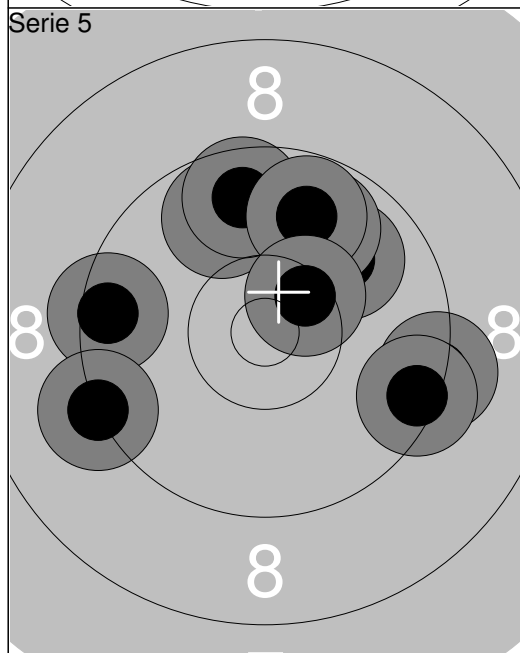
11:	10.2	↘
12:	9.9	↘
13:	10.2	→
14:	9.5	↘
15:	10.2	↗
16:	9.8	→
17:	10.0	↗
18:	9.1	↖
19:	*10.4	→
20:	*10.6	↖
Serie		96.0
Total		190.0



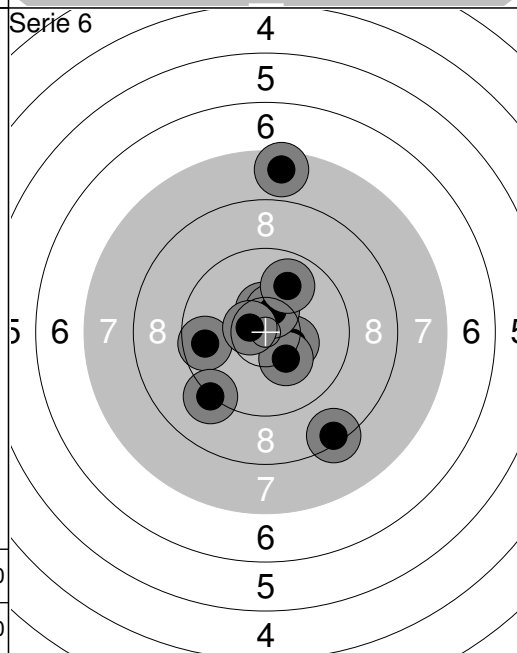
21:	9.3	→
22:	10.3	→
23:	*10.7	→
24:	*10.5	→
25:	9.4	↖
26:	9.1	↗
27:	9.9	↗
28:	9.2	↘
29:	10.3	↗
30:	8.1	↖
Serie		93.0
Total		283.0



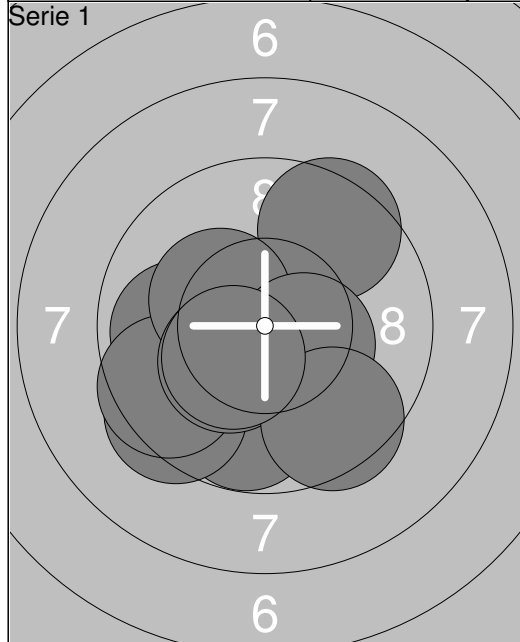
31:	*10.6	↘
32:	9.3	↘
33:	9.9	↖
34:	10.3	↖
35:	9.4	↘
36:	9.7	↗
37:	9.1	↗
38:	10.2	→
39:	*10.6	→
40:	*10.6	↖
Serie		95.0
Total		378.0



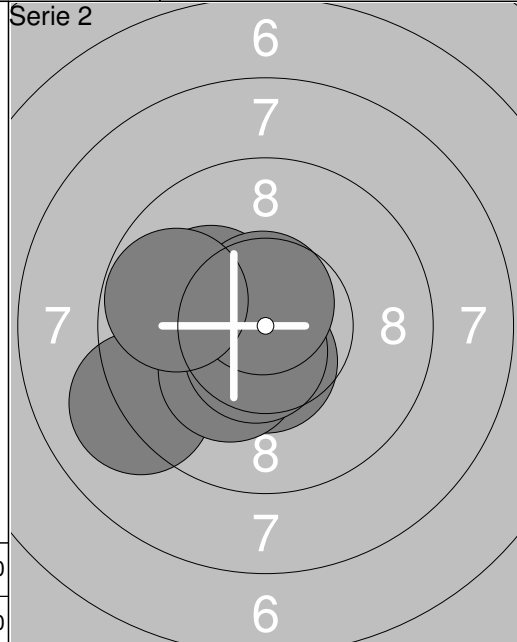
41:	9.3	→
42:	9.9	↗
43:	9.8	↗
44:	9.5	↖
45:	9.9	↗
46:	9.2	↖
47:	9.4	→
48:	9.7	↗
49:	9.8	↗
50:	*10.4	↗
Serie		91.0
Total		469.0



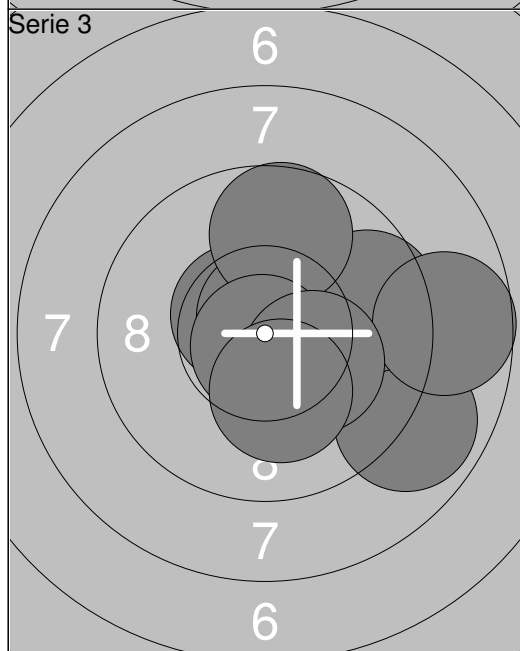
51:	8.4	↘
52:	*10.4	→
53:	10.3	↘
54:	*10.5	↗
55:	*10.5	↗
56:	9.7	↖
57:	7.6	↗
58:	*10.6	↖
59:	9.2	↘
60:	9.9	↗
Serie		92.0
Total		561.0



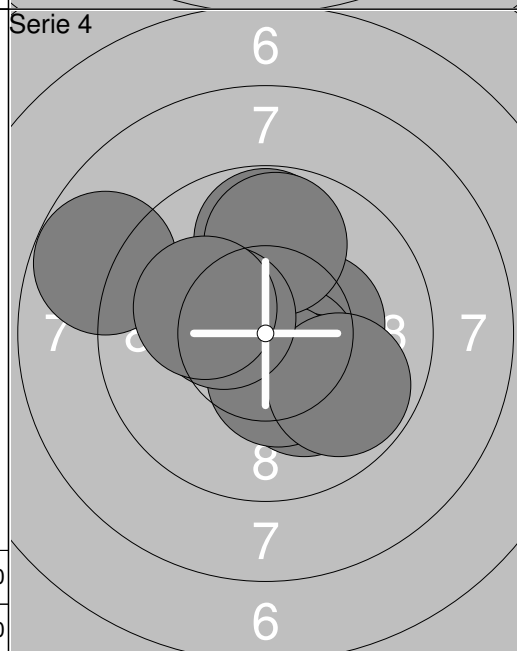
1:	9.8	↓
2:	9.9	←
3:	9.5	↗
4:	9.4	↙
5:	9.5	↙
6:	*10.3	↖
7:	*10.4	→
8:	*10.3	↙
9:	9.5	↓
10:	*10.4	↙
Serie		94.0
Total		94.0



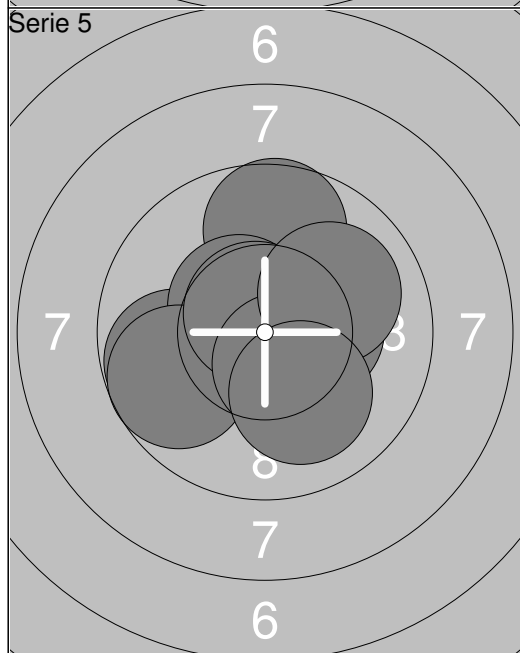
11:	*10.5	↓
12:	*10.6	↙
13:	*10.2	↖
14:	9.9	←
15:	10.1	↙
16:	9.1	↙
17:	*10.2	↙
18:	*10.6	↓
19:	*10.6	↑
20:	9.8	↖
Serie		97.0
Total		191.0



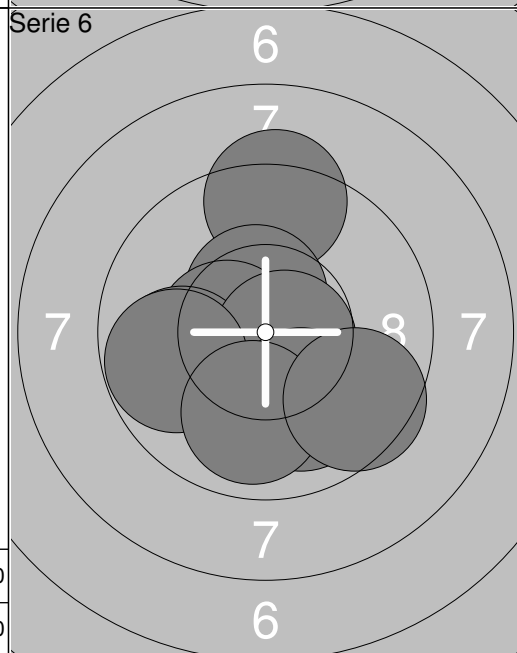
21:	*10.6	↖
22:	8.9	↘
23:	*10.8	↑
24:	*10.6	↓
25:	9.6	→
26:	9.7	↑
27:	*10.8	↓
28:	8.7	→
29:	*10.2	↘
30:	*10.2	↓
Serie		94.0
Total		285.0



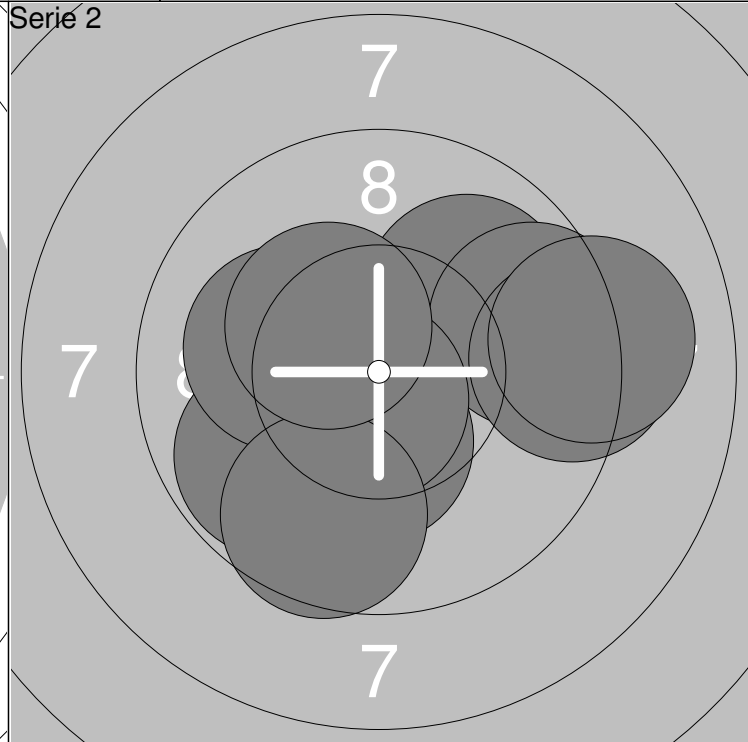
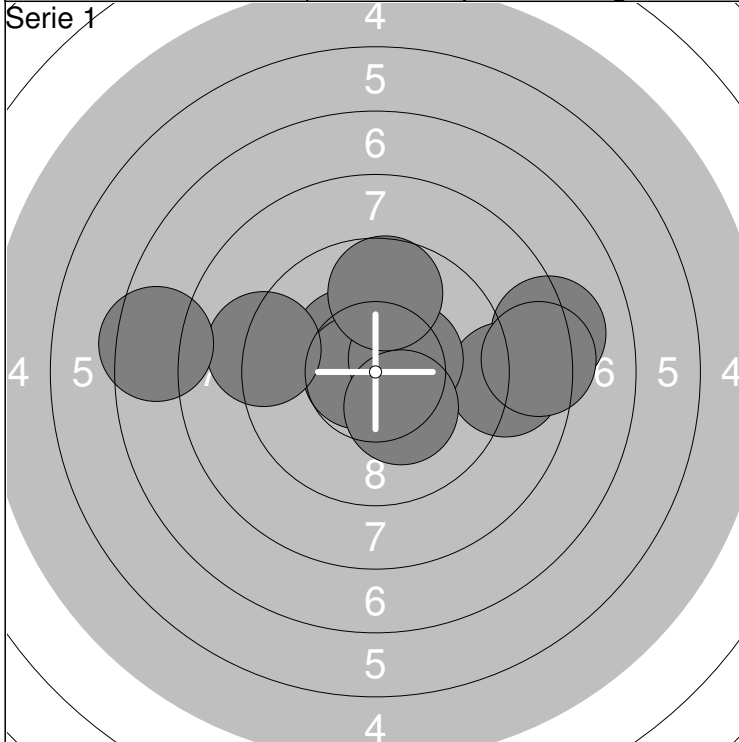
31:	*10.3	→
32:	8.8	↖
33:	*10.6	↘
34:	10.1	↘
35:	*10.4	↓
36:	9.8	↘
37:	9.8	↑
38:	9.8	↑
39:	*10.4	↖
40:	10.1	↖
Serie		95.0
Total		380.0



41:	9.8	←
42:	9.7	↑
43:	*10.7	↙
44:	*10.5	↖
45:	*10.3	→
46:	9.7	↙
47:	*10.7	↗
48:	*10.5	↘
49:	10.0	↗
50:	10.1	↓
Serie		97.0
Total		477.0

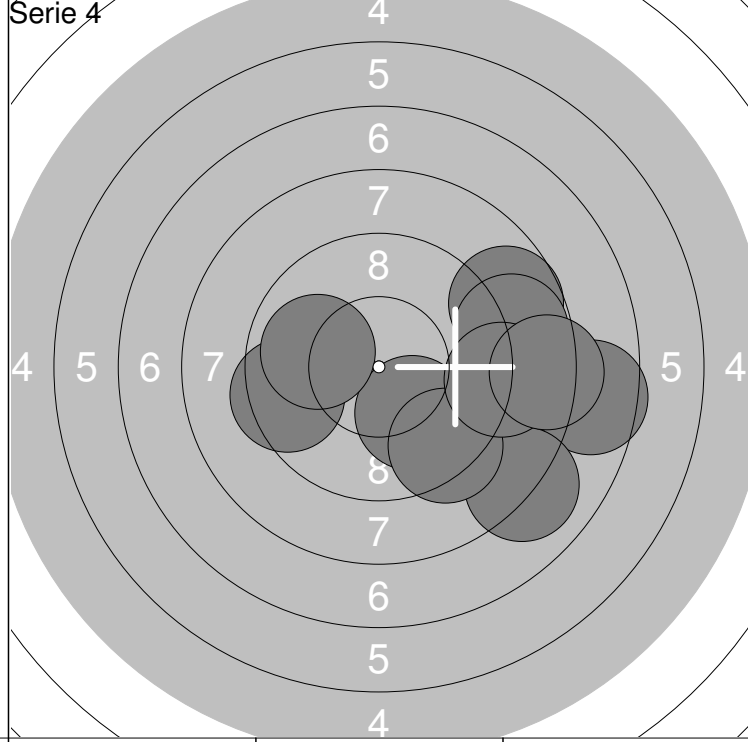
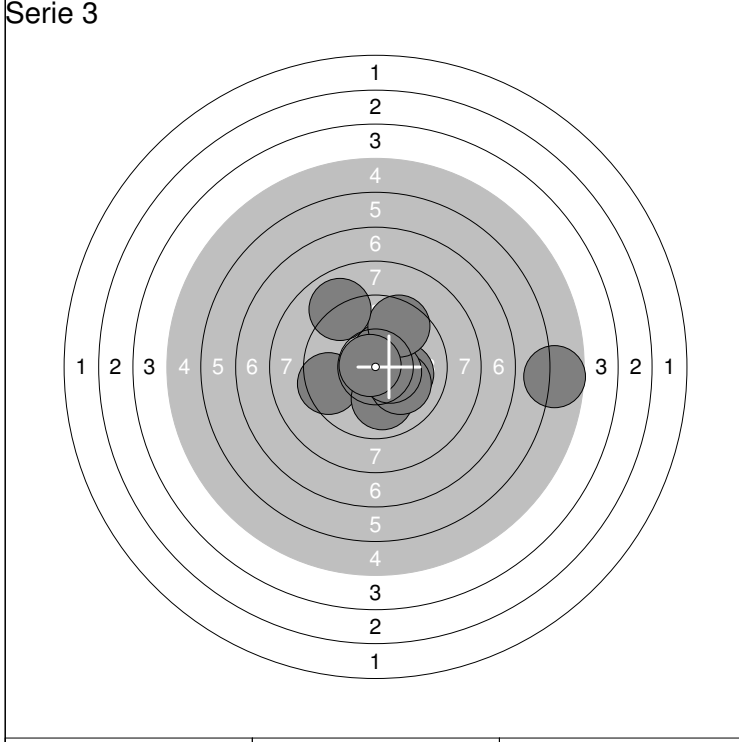


51:	9.3	↑
52:	*10.5	↑
53:	*10.3	↓
54:	*10.5	←
55:	9.8	↙
56:	*10.7	↘
57:	9.8	↙
58:	10.0	↓
59:	9.9	↓
60:	9.6	↘
Serie		95.0
Total		572.0



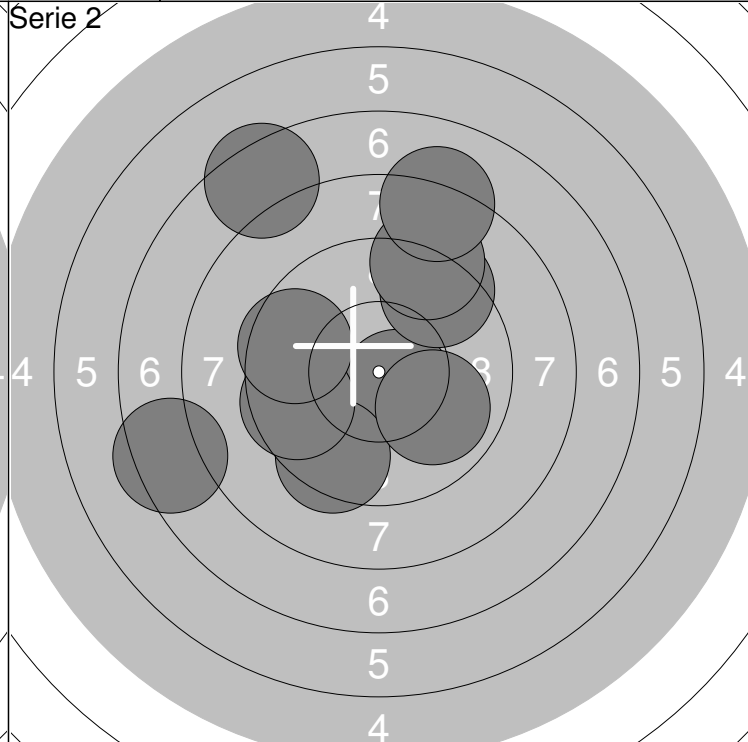
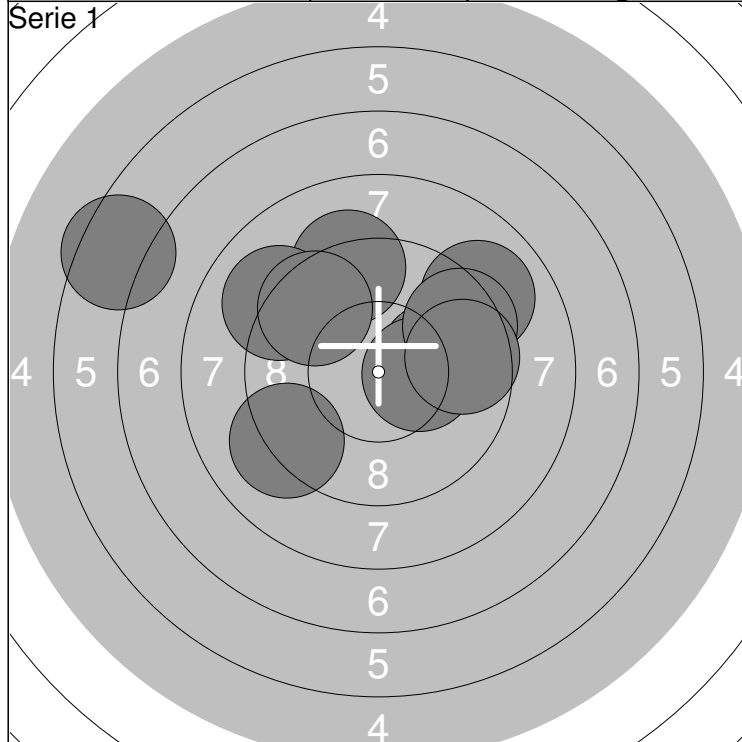
1: *10.4 ↗	6: *10.4 →	Serie	89.0
2: 8.2 →	7: *10.3 ↘		Total
3: *10.7 ←	8: 8.4 →		
4: 8.9 →	9: 9.7 ↑		
5: 9.2 ←	10: 7.5 ←		

11: *10.4 ↓	16: 9.3 →	Serie	95.0
12: 10.0 ↗	17: 9.1 →		Total
13: 9.6 →	18: 10.1 ←		
14: *10.7 ↓	19: 9.6 ↓		
15: 9.8 ↙	20: *10.4 ↖		



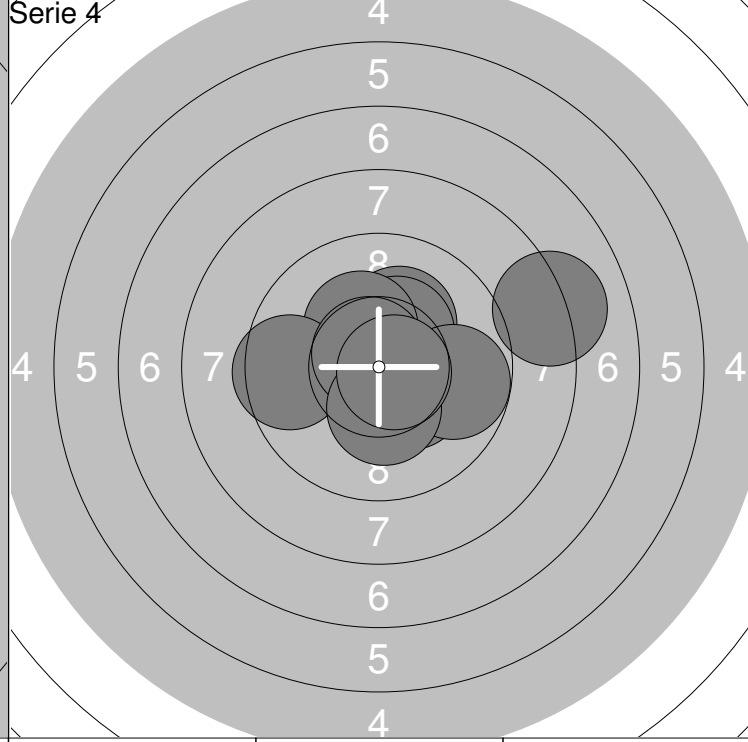
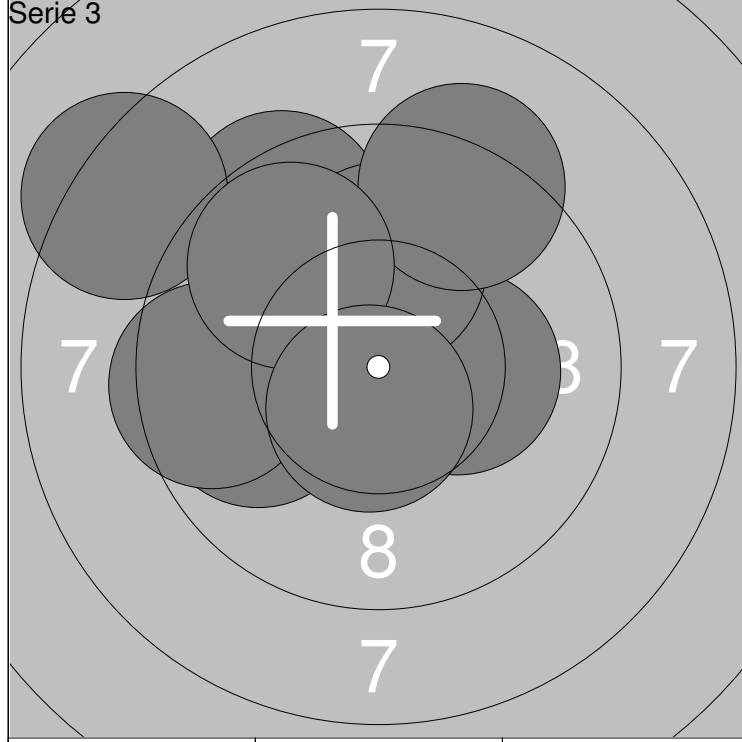
21: 9.5 ←	26: *10.5 →	Serie	92.0
22: *10.5 ↗	27: 9.6 ↗		Total
23: 10.0 ↓	28: *10.8 ←		
24: 10.1 →	29: 5.7 →		
25: 10.1 ↘	30: 9.0 ↗		

31: 10.1 ↓	36: 9.4 ←	Serie	86.0
32: 7.6 →	37: 10.0 ←		Total
33: 8.7 ↗	38: 9.3 ↓		
34: 8.8 →	39: 9.0 →		
35: 8.1 ↓	40: 8.3 →		



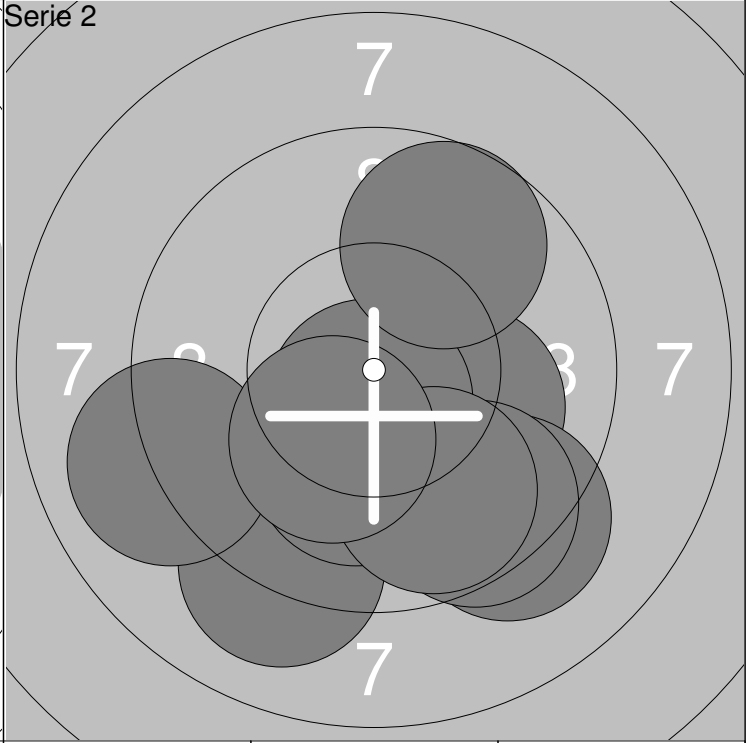
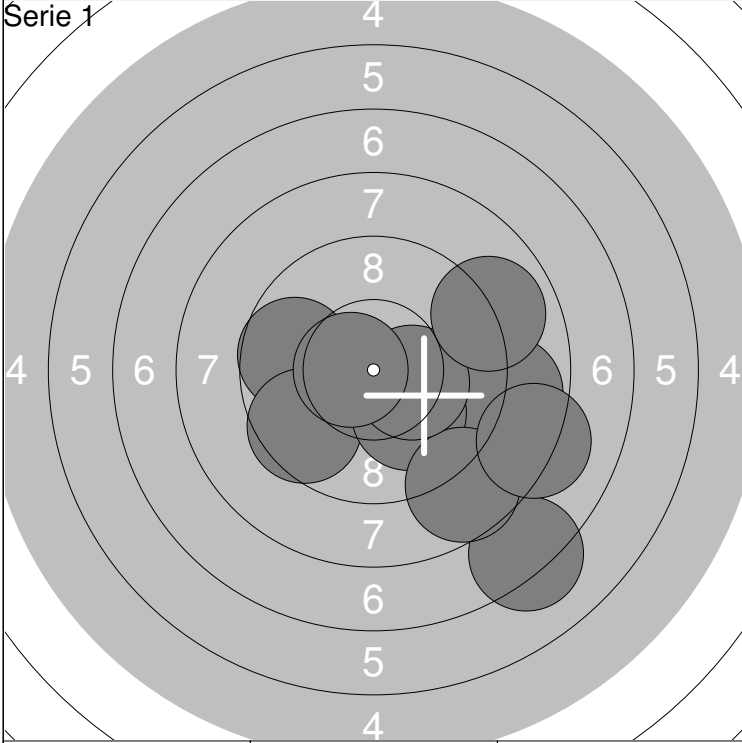
1: 9.2 ↙	6: 9.0 ↗	Serie	89.0
2: 10.0 →	7: 6.5 ↖		
3: 9.3 ↑	8: 9.5 ↗	Total	89.0
4: *10.3 →	9: 9.6 →		
5: 9.0 ↖	10: 9.5 ↖		

11: *10.6 ↘	16: 7.4 ↖	Serie	86.0
12: 9.4 ↙	17: 9.6 ↖		
13: 7.4 ↖	18: 9.4 ↗	Total	175.0
14: 9.9 ↘	19: 9.1 ↗		
15: 9.6 ↖	20: 8.2 ↗		



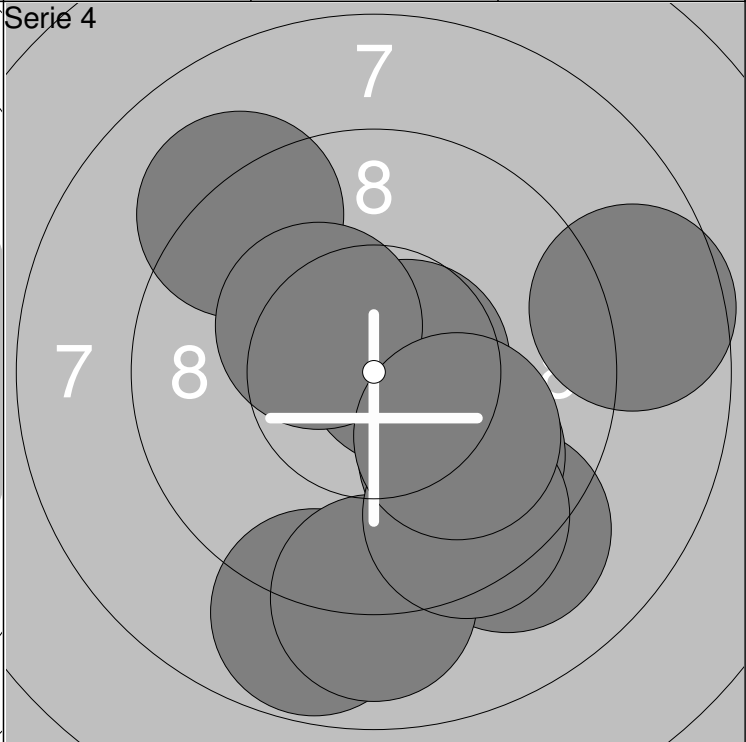
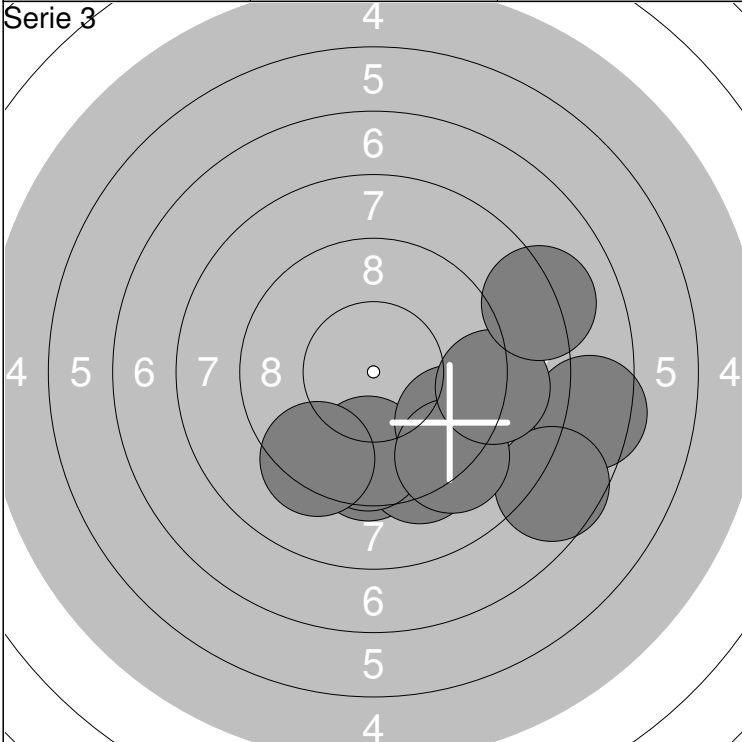
21: *10.8 ↗	26: 10.1 ↑	Serie	93.0
22: 9.4 ↖	27: 9.2 ↑		
23: 8.3 ↖	28: 9.5 ←	Total	268.0
24: 9.9 ↖	29: 9.8 ↖		
25: *10.3 →	30: *10.6 ↓		

31: *10.3 ↘	36: *10.7 ↖	Serie	96.0
32: *10.2 ↗	37: 9.8 →		
33: *10.4 ↗	38: *10.3 ↓	Total	364.0
34: *10.3 ↖	39: 8.1 →		
35: 9.6 ←	40: *10.7 →		



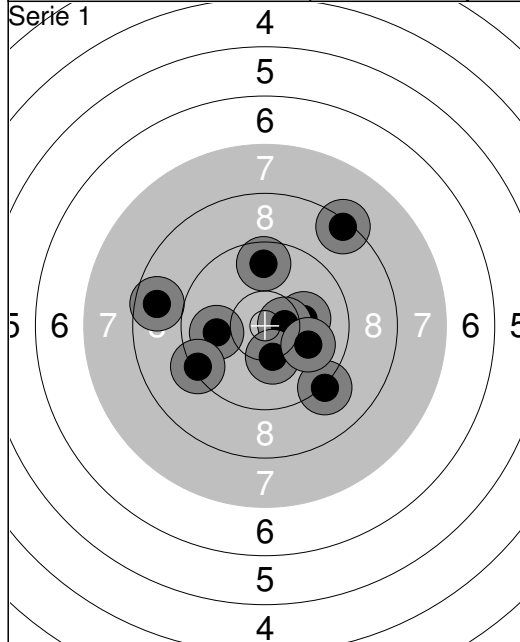
1: 9.7 ←	6: 8.7 ↓	Serie	87.0
2: 9.5 ↙	7: *10.3 →		
3: 8.8 →	8: 8.2 ↓	Total	87.0
4: 10.1 ↓	9: *10.6 ←		
5: 7.2 ↓	10: 8.9 ↗		

11: 10.1 →	16: *10.7 ↓	Serie	94.0
12: 9.2 ↓	17: 9.0 ←		
13: 9.5 ↓	18: 9.7 ↗	Total	181.0
14: 9.1 ↓	19: 9.8 ↓		
15: *10.2 ↓	20: *10.3 ↓		

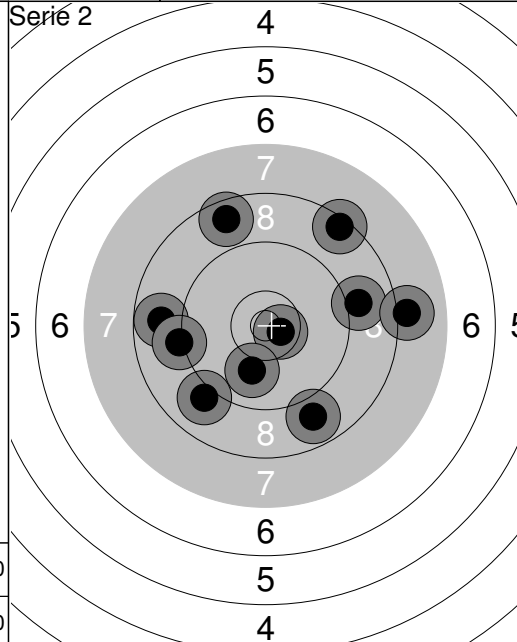


21: 9.5 ↓	26: 9.5 ↓	Serie	85.0
22: 9.3 ↓	27: 9.1 ↓		
23: 9.7 ↓	28: 9.3 ↓	Total	266.0
24: 7.5 →	29: 9.1 →		
25: 7.6 ↓	30: 8.1 ↗		

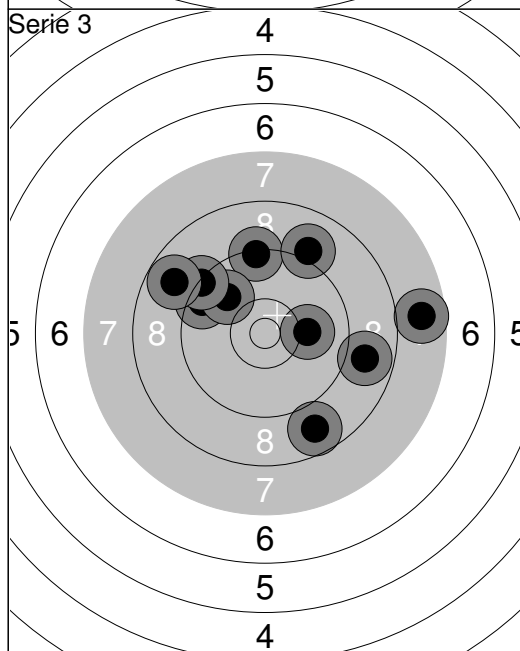
31: 9.1 ↓	36: *10.3 ↗	Serie	91.0
32: *10.7 →	37: 8.6 →		
33: 9.2 ↗	38: 9.9 ↓	Total	357.0
34: 8.8 ↓	39: 9.5 ↓		
35: 9.0 ↓	40: 10.0 ↓		



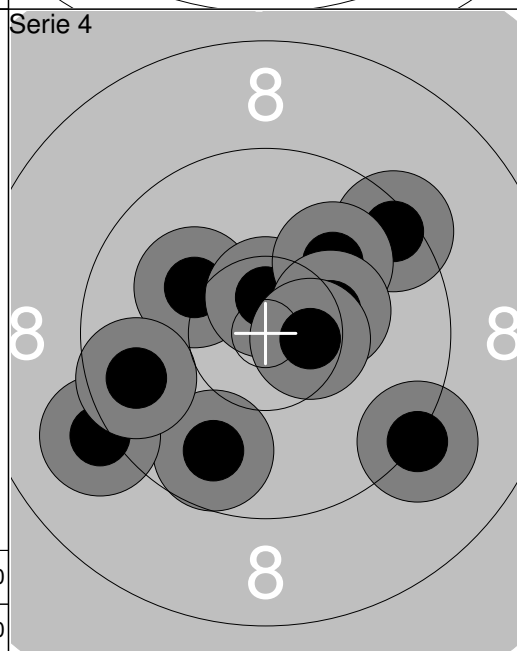
1:	9.2	↘
2:	9.9	←
3:	8.4	↗
4:	8.7	←
5:	10.2	→
6:	*10.5	→
7:	10.3	↓
8:	10.0	→
9:	9.7	↑
10:	9.3	↙
Serie	92.0	
Total	92.0	



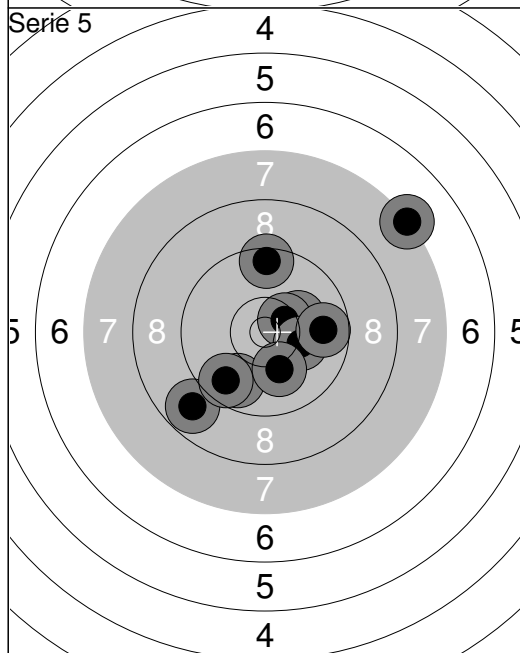
11:	9.0	↙
12:	8.6	↗
13:	9.0	→
14:	8.8	↘
15:	8.8	←
16:	9.1	←
17:	8.4	↗
18:	*10.6	→
19:	10.0	↓
20:	8.0	→
Serie	87.0	
Total	179.0	



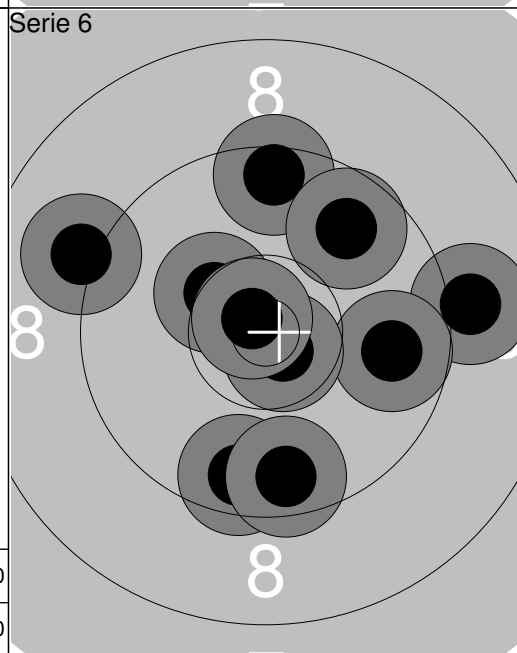
21:	9.3	↑
22:	9.5	↖
23:	9.0	↗
24:	8.7	↘
25:	9.9	↗
26:	7.7	→
27:	10.1	→
28:	9.3	↗
29:	8.8	↗
30:	8.8	→
Serie	86.0	
Total	265.0	



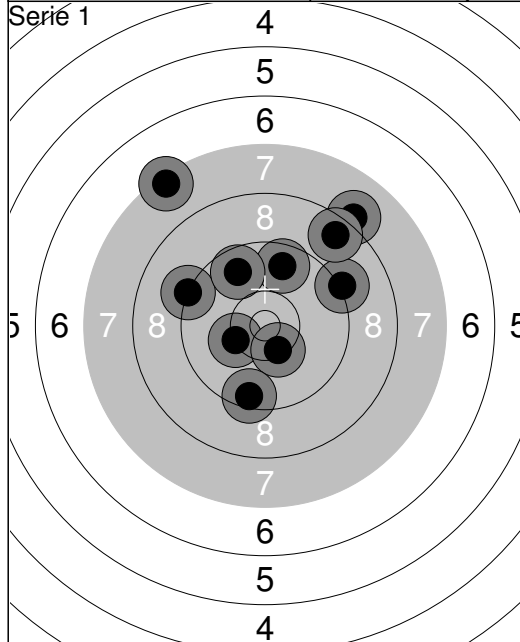
31:	10.2	↖
32:	9.8	↘
33:	9.2	↘
34:	9.4	↗
35:	9.1	↖
36:	*10.6	↑
37:	9.7	←
38:	10.0	↗
39:	10.3	→
40:	*10.5	→
Serie	95.0	
Total	360.0	



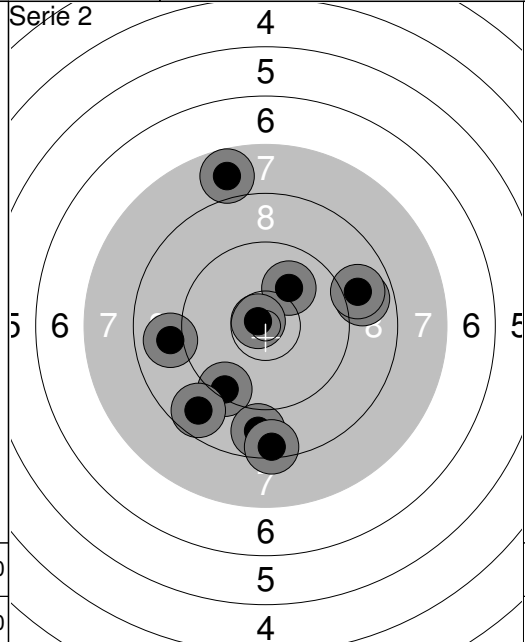
41:	8.8	↘
42:	9.8	↘
43:	10.2	↗
44:	9.5	↑
45:	*10.5	↗
46:	10.2	→
47:	9.7	↘
48:	10.1	↓
49:	9.8	→
50:	7.3	↗
Serie	91.0	
Total	451.0	



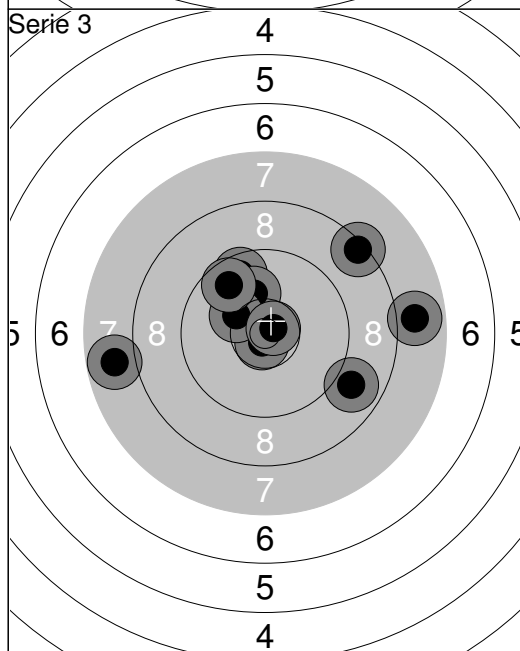
51:	9.5	↑
52:	*10.4	↖
53:	9.0	→
54:	9.1	↖
55:	9.8	→
56:	9.7	↗
57:	9.6	↓
58:	*10.7	↘
59:	9.6	↓
60:	*10.8	↖
Serie	93.0	
Total	544.0	



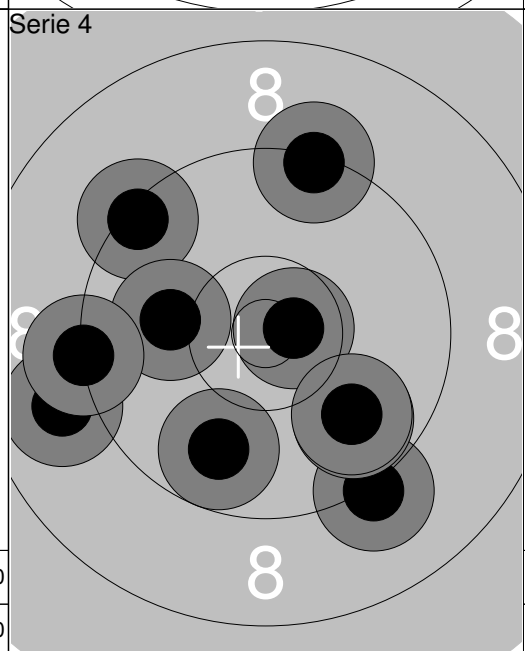
1:	10.3	↙
2:	*10.4	↘
3:	9.7	↗
4:	8.1	↗
5:	9.2	↗
6:	9.2	↖
7:	9.5	↘
8:	7.4	↗
9:	9.7	↗
10:	8.6	↗
Serie	88.0	
Total	88.0	



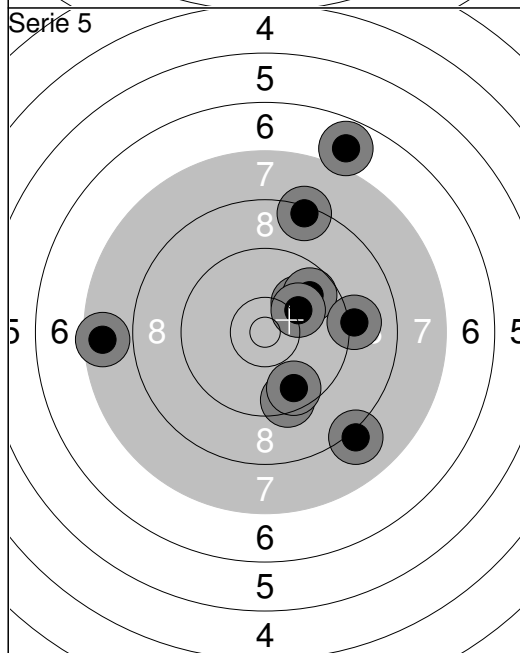
11:	10.0	↗
12:	9.4	↘
13:	8.7	↘
14:	9.0	↖
15:	*10.8	↖
16:	8.8	↘
17:	8.5	↘
18:	7.8	↗
19:	8.9	↗
20:	8.9	↗
Serie	85.0	
Total	173.0	



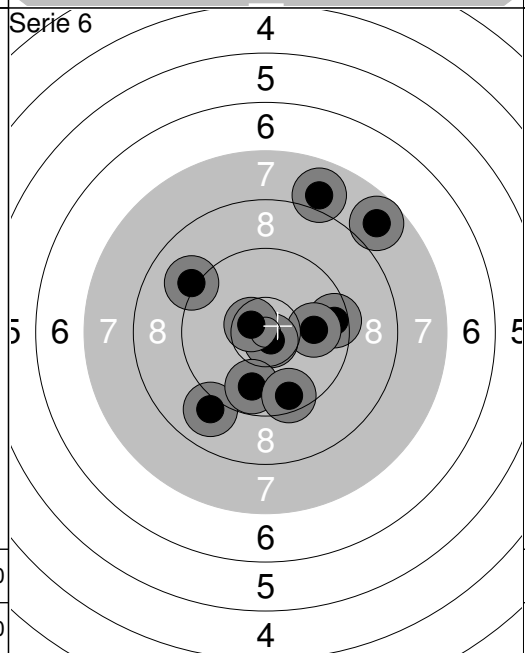
21:	9.6	↗
22:	7.8	↖
23:	10.1	↗
24:	*10.7	↘
25:	10.3	↖
26:	9.7	↗
27:	*10.7	↗
28:	7.9	↗
29:	8.9	↘
30:	8.4	↗
Serie	88.0	
Total	261.0	



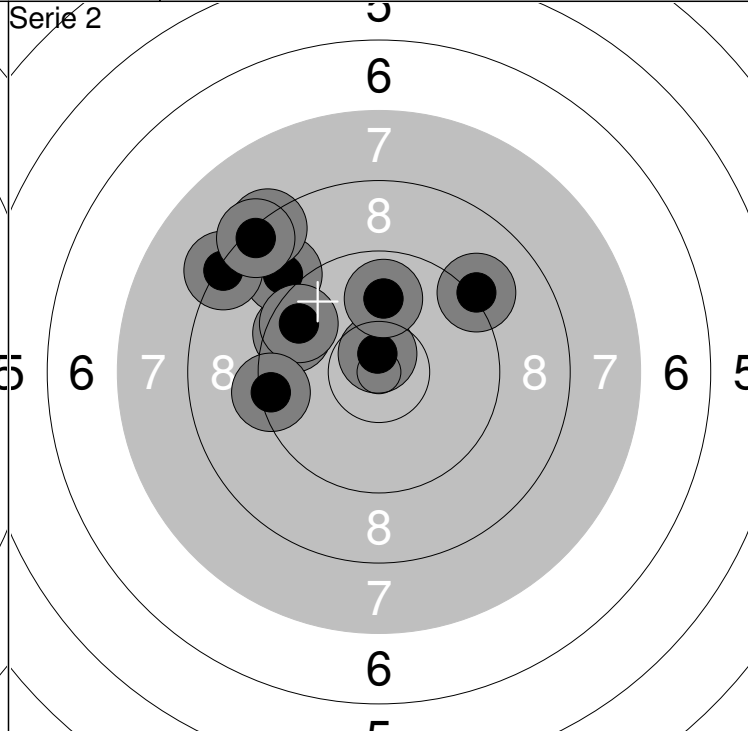
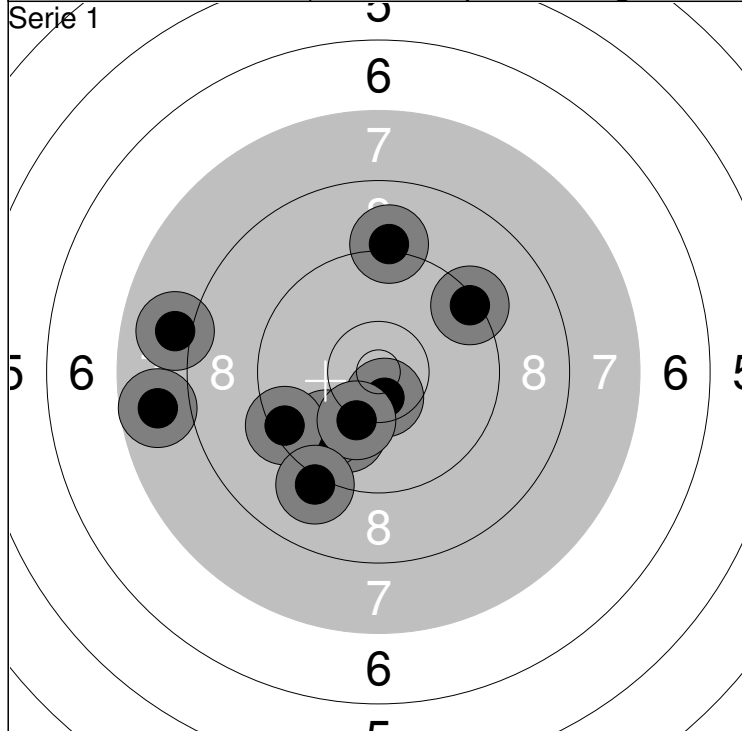
31:	9.3	↗
32:	*10.7	↗
33:	9.4	↗
34:	10.1	↖
35:	8.9	↖
36:	9.2	↖
37:	9.2	↘
38:	9.8	↘
39:	9.8	↘
40:	9.9	↘
Serie	91.0	
Total	352.0	



41:	6.8	↗
42:	7.6	↖
43:	9.5	↘
44:	10.0	↗
45:	9.8	↗
46:	10.1	↗
47:	9.7	↘
48:	8.1	↘
49:	9.1	↗
50:	8.4	↗
Serie	85.0	
Total	437.0	

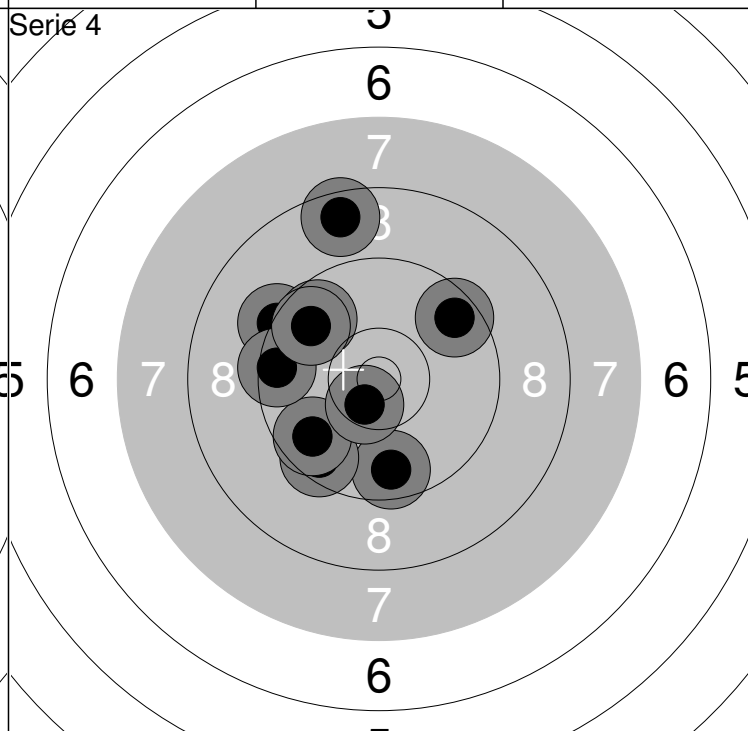
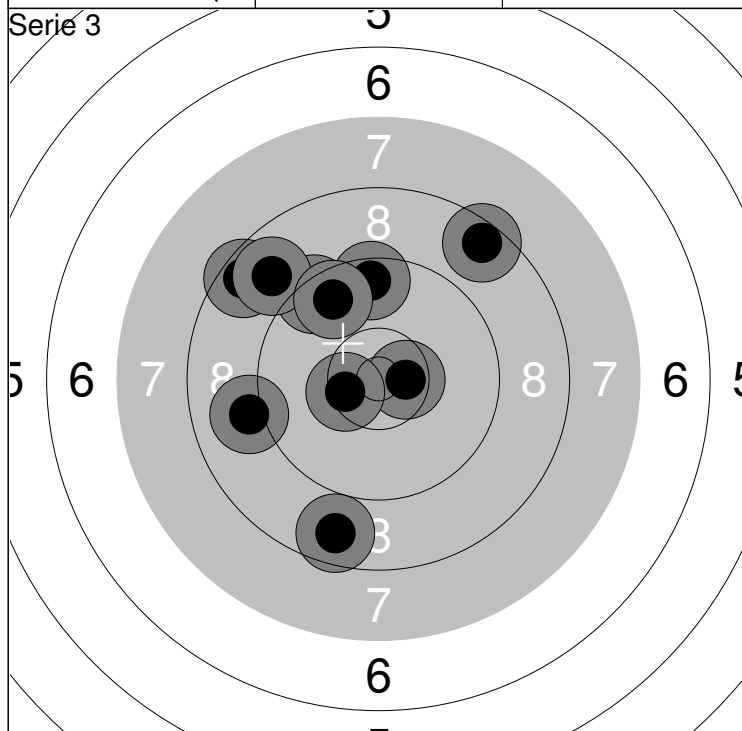


51:	9.0	↘
52:	9.5	↗
53:	10.0	↗
54:	*10.7	↘
55:	*10.6	↖
56:	9.8	↘
57:	7.8	↗
58:	7.9	↗
59:	9.6	↘
60:	9.1	↖
Serie	89.0	
Total	526.0	



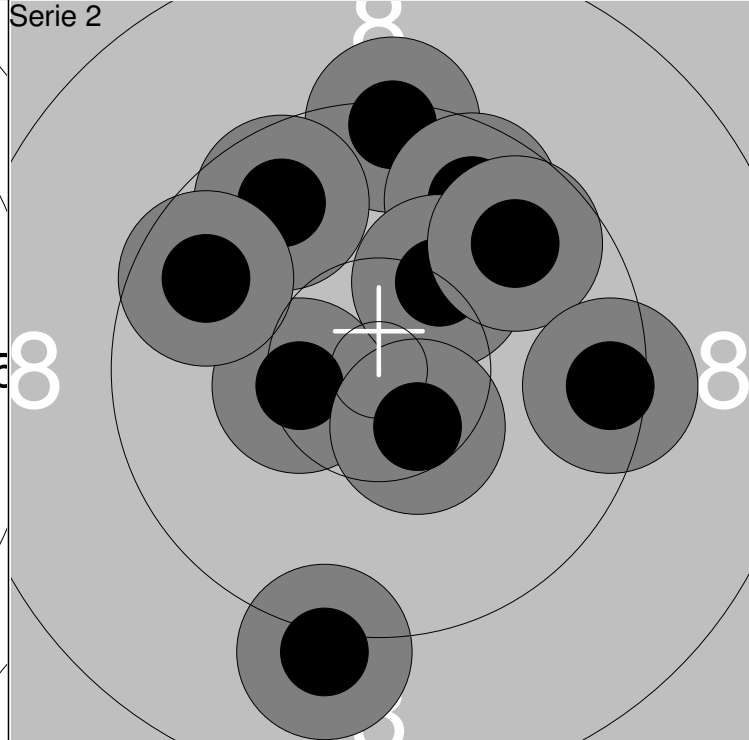
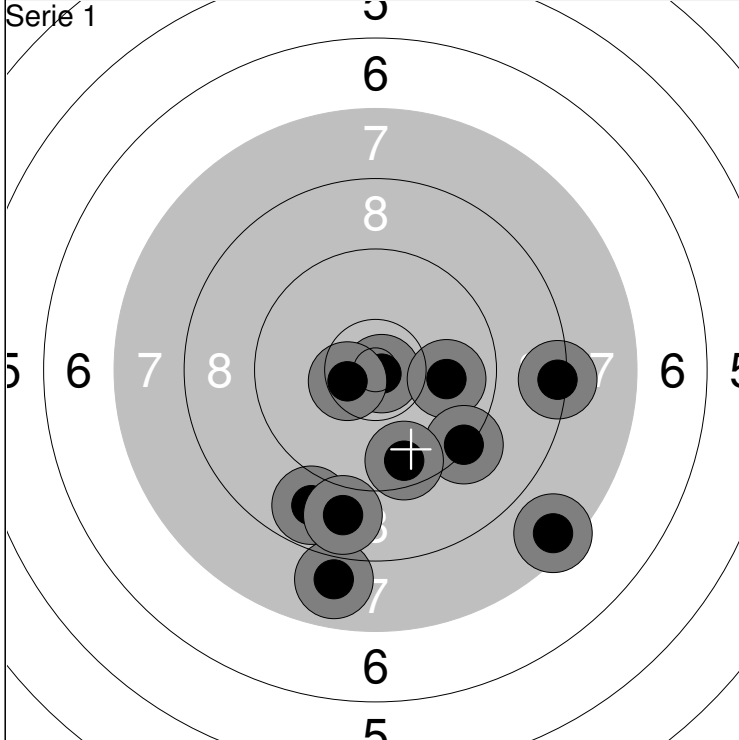
1: 10.0 ↓	6: 10.2 ↓	Serie 90.0
2: 9.9 ↘	7: 9.1 ↑	
3: 8.0 ←	8: 9.1 ↓	Total 90.0
4: 9.4 ↙	9: 9.3 ↗	
5: *10.6 ↓	10: 7.8 ←	

11: 9.6 ↖	16: 8.3 ↗	Serie 88.0
12: *10.7 ↑	17: 8.4 ↗	
13: 9.2 ↗	18: 9.9 ↑	Total 178.0
14: 9.0 ↖	19: 8.4 ↖	
15: 9.6 ↖	20: 9.4 ←	



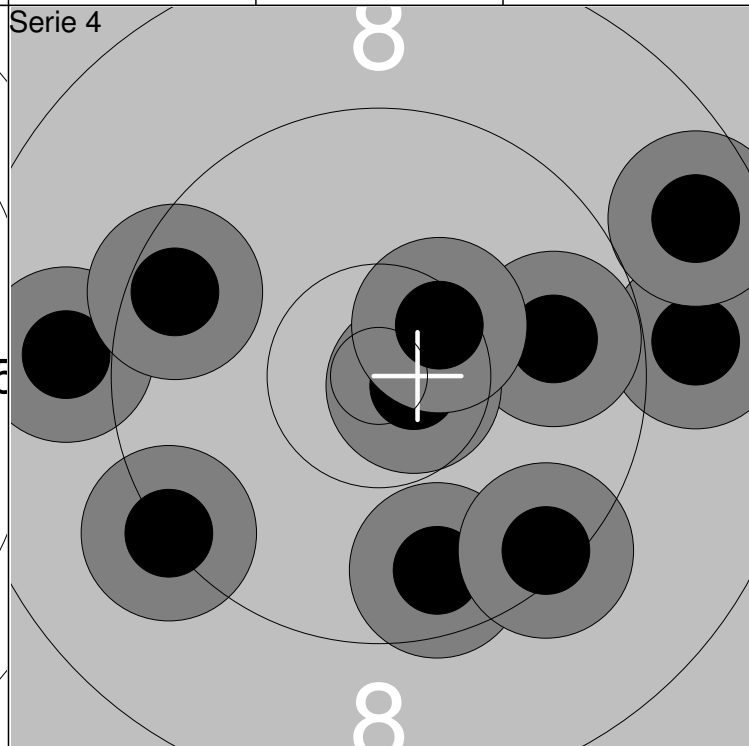
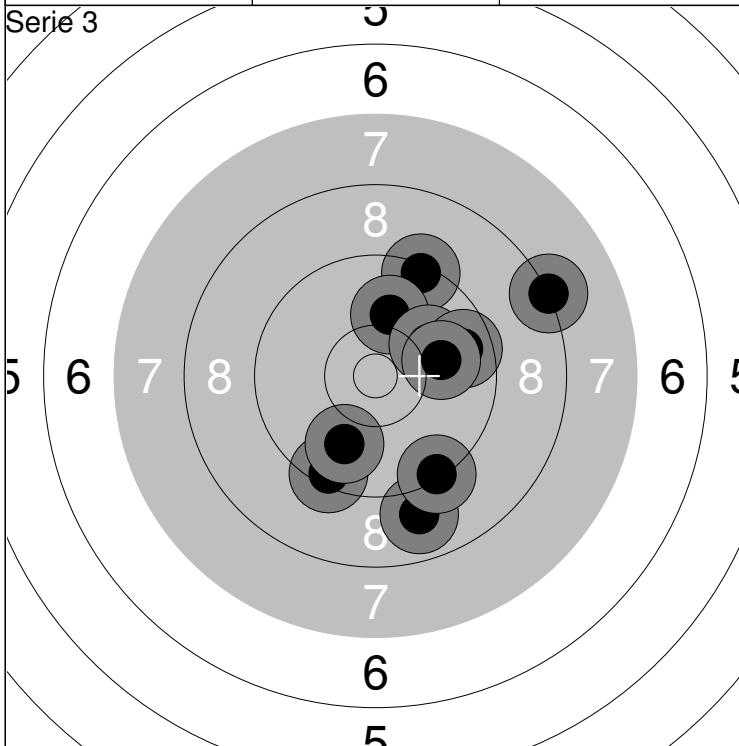
21: 9.0 ←	26: 9.4 ↗	Serie 88.0
22: *10.6 →	27: 8.5 ↗	
23: *10.4 ←	28: 8.6 ↗	Total 266.0
24: 8.7 ↓	29: 8.8 ↗	
25: 9.5 ↑	30: 9.7 ↗	

31: 9.7 ↓	36: 9.7 ↖	Serie 90.0
32: 9.6 ↓	37: 9.5 ←	
33: 9.6 ↗	38: *10.5 ↓	Total 356.0
34: 9.7 ↙	39: 9.7 ↗	
35: 9.3 ↖	40: 8.6 ↑	



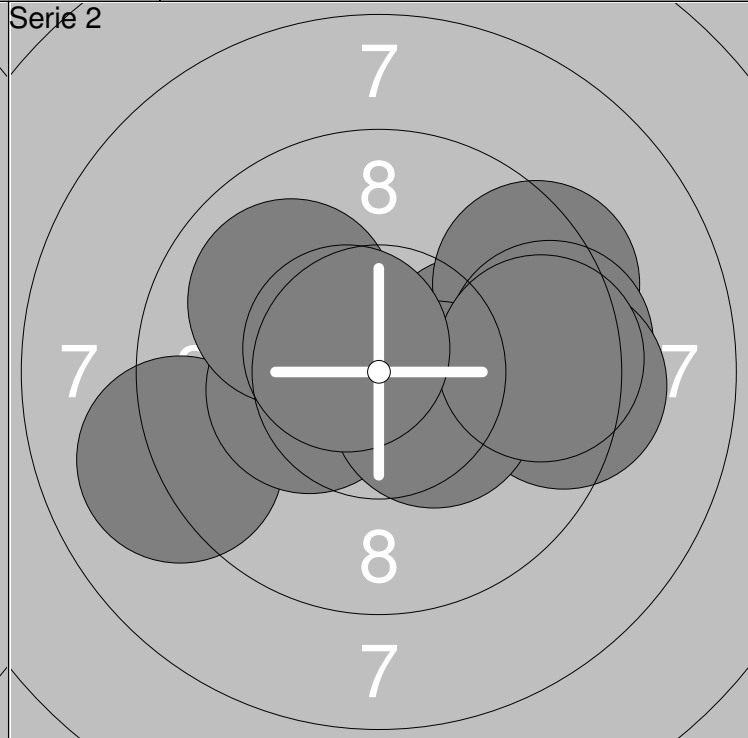
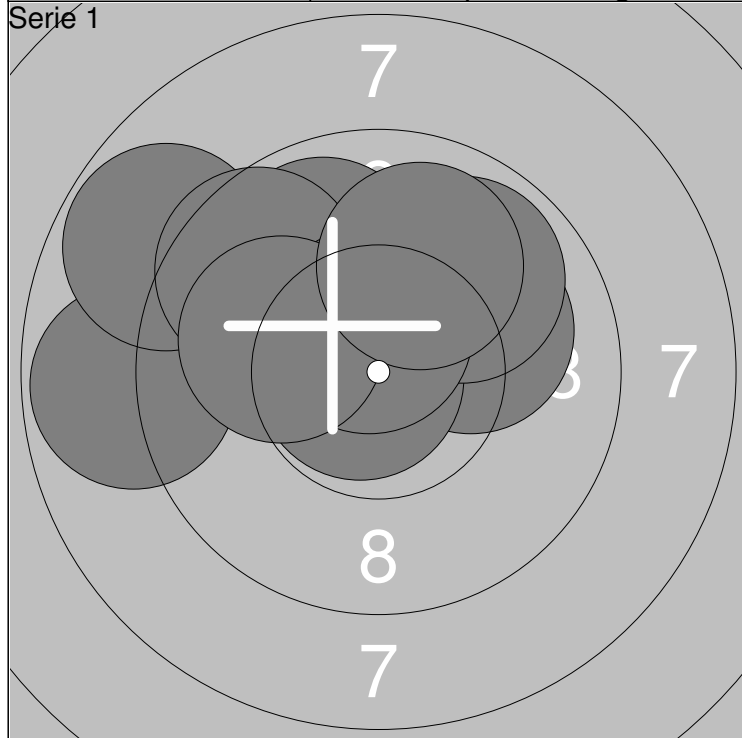
1: *10.8 →	6: 8.8 ↓	Serie	85.0
2: 9.9 →	7: 7.5 ↓		
3: 8.4 →	8: 9.6 ↓	Total	85.0
4: *10.5 ←	9: 7.9 ↓		
5: 9.3 ↓	10: 8.8 ↓		

11: *10.4 ←	16: 10.3 ↗	Serie	93.0
12: 9.4 ↑	17: 9.8 ↗		
13: 9.7 ↗	18: 9.5 →	Total	178.0
14: 9.1 ↓	19: 9.7 ↖		
15: 9.7 ↗	20: *10.5 ↓		



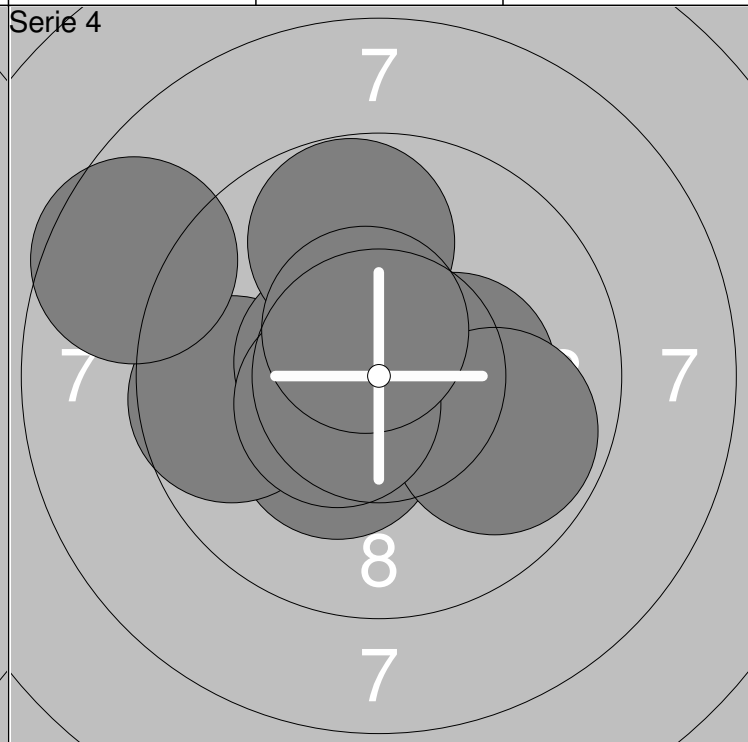
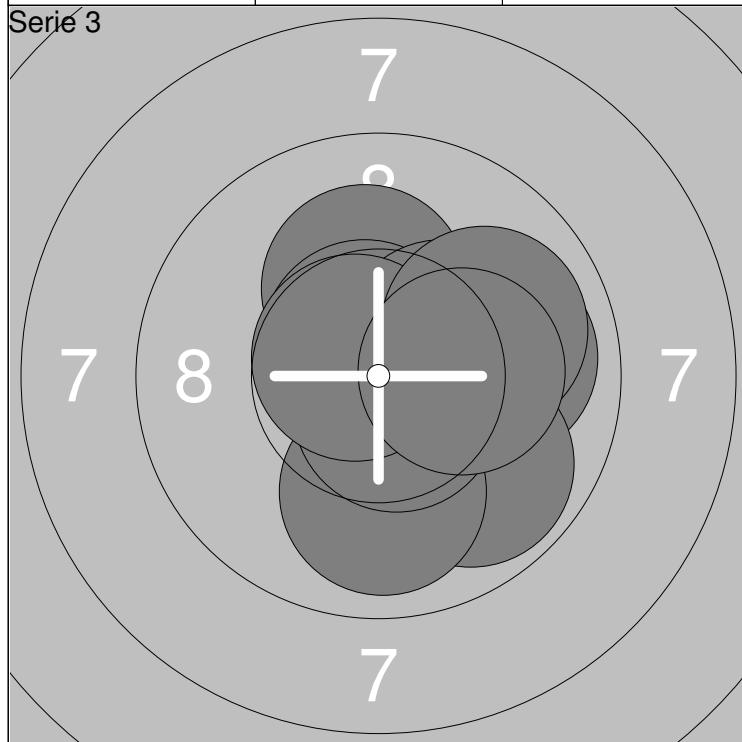
21: 9.3 ↗	26: 8.9 ↓	Serie	91.0
22: 10.0 ↑	27: 9.4 ↓		
23: 10.1 ↗	28: 9.9 ↓	Total	269.0
24: 9.6 →	29: 9.3 ↓		
25: 10.0 →	30: 8.2 ↗		

31: 8.9 ←	36: 9.6 ↓	Serie	89.0
32: 8.9 →	37: *10.7 →		
33: 8.7 ↗	38: *10.4 ↗	Total	358.0
34: 9.3 ↖	39: 9.4 ↓		
35: 9.8 →	40: 9.5 ↖		



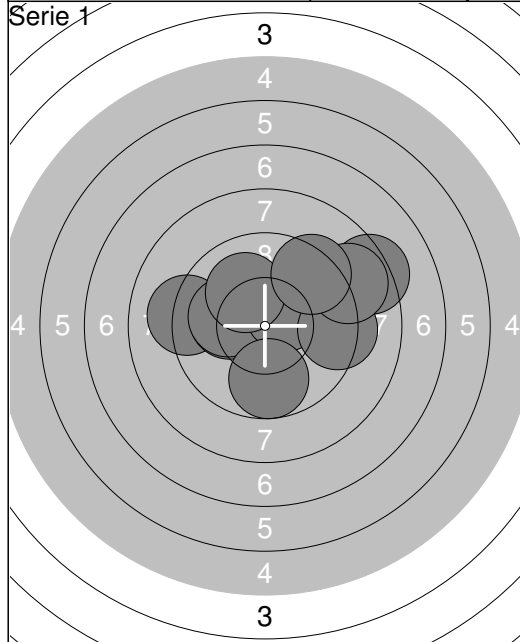
1: 10.1 →	6: 9.6 ↖	Serie	93.0
2: 8.8 ←	7: 9.9 ↗		
3: *10.8 ←	8: *10.6 ↑	Total	93.0
4: 8.8 ↖	9: 10.1 ↖		
5: 9.9 ↗	10: 10.0 ↑		

11: 10.1 →	16: *10.3 ←	Serie	95.0
12: 9.1 ←	17: 10.0 ↗		
13: 9.4 ↗	18: *10.4 ↘	Total	188.0
14: 9.5 →	19: 9.5 →		
15: 9.3 →	20: *10.6 ↖		

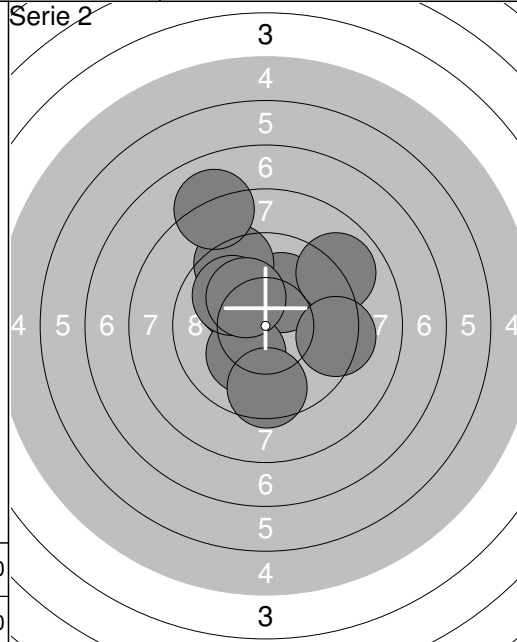


21: *10.2 ↑	26: *10.3 ↗	Serie	98.0
22: 10.0 →	27: *10.6 ↘		
23: 9.9 ↘	28: *10.7 ↖	Total	286.0
24: 10.0 ↓	29: 9.9 ↗		
25: *10.6 ↗	30: *10.2 →		

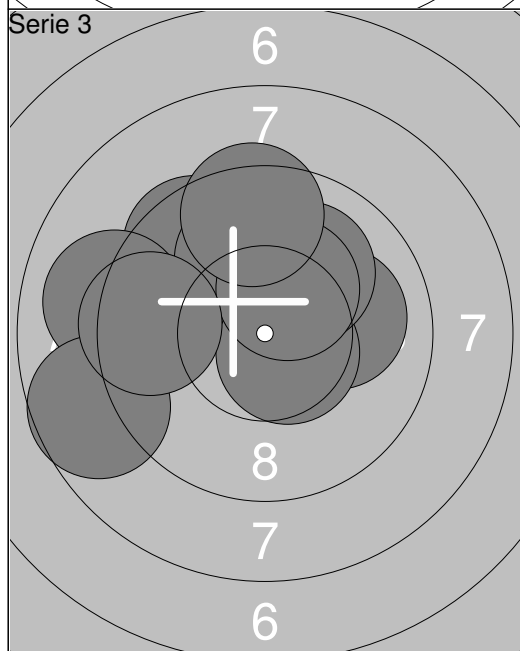
31: *10.3 ↘	36: 9.8 ↑	Serie	95.0
32: *10.6 →	37: 9.9 ↘		
33: 9.6 ←	38: *10.5 ←	Total	381.0
34: *10.3 →	39: 8.6 ↖		
35: *10.6 ←	40: *10.5 ↑		



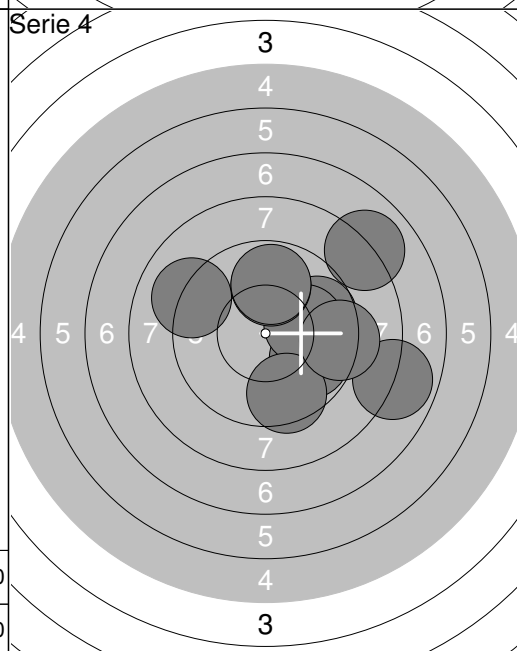
1:	9.2	←
2:	10.1	←
3:	10.1	←
4:	*10.4	↗
5:	9.7	↓
6:	10.1	↗
7:	9.3	→
8:	8.3	↗
9:	8.8	↗
10:	9.4	↗
Serie		92.0
Total		92.0



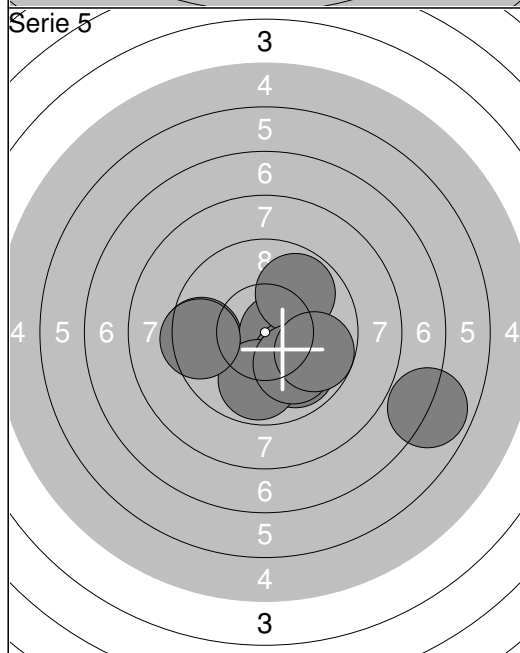
11:	10.1	↗
12:	9.4	↗
13:	8.9	↗
14:	8.1	↗
15:	9.3	→
16:	10.1	↗
17:	*10.2	↘
18:	9.9	↗
19:	9.6	↓
20:	*10.2	↗
Serie		92.0
Total		184.0



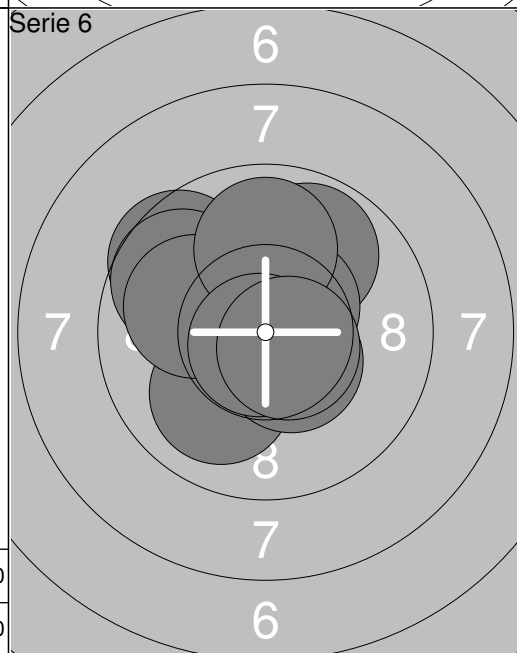
21:	10.1	→
22:	9.5	↗
23:	9.0	←
24:	8.7	←
25:	10.0	↗
26:	*10.6	↘
27:	10.0	↗
28:	*10.3	↗
29:	9.4	↗
30:	9.5	←
Serie		94.0
Total		278.0



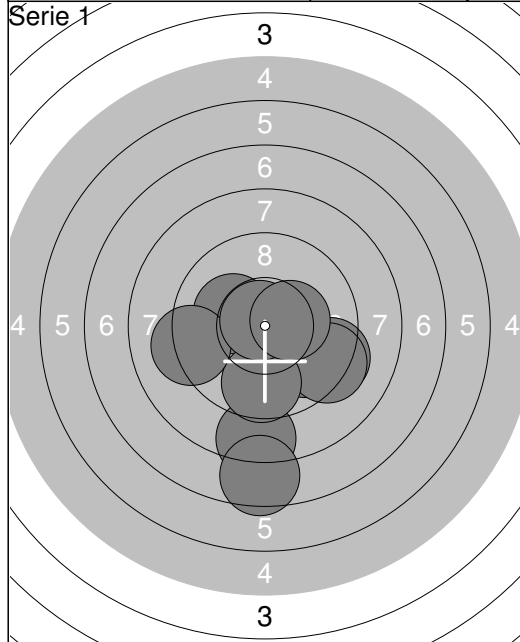
31:	9.7	→
32:	9.8	↘
33:	10.0	→
34:	8.0	↗
35:	9.9	↗
36:	9.1	↖
37:	7.9	→
38:	9.8	↗
39:	9.5	↓
40:	9.2	→
Serie		88.0
Total		366.0



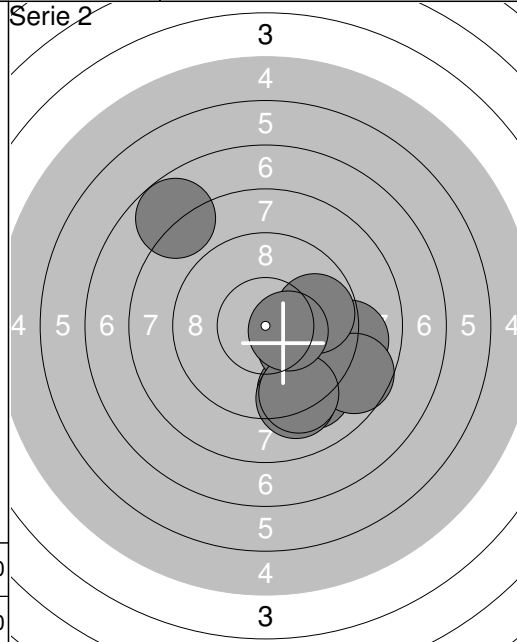
41:	9.9	↘
42:	9.5	←
43:	*10.6	→
44:	6.9	↘
45:	10.1	↘
46:	9.9	↓
47:	9.8	↗
48:	9.5	←
49:	10.0	↘
50:	9.8	↘
Serie		90.0
Total		456.0



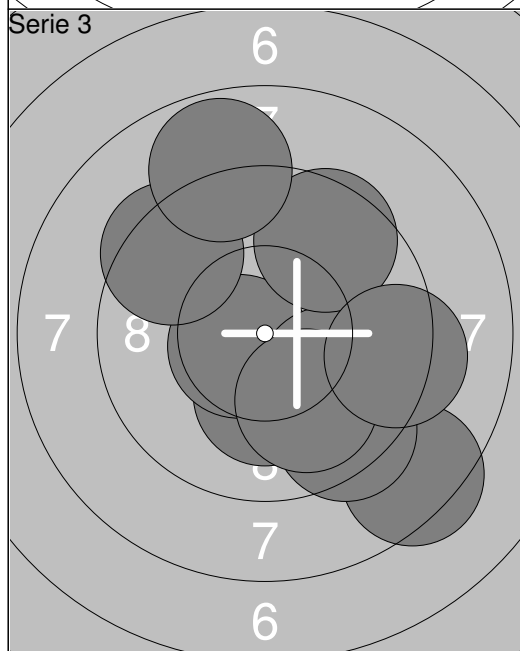
51:	9.8	↗
52:	10.0	↘
53:	9.5	↗
54:	9.7	↗
55:	10.0	↖
56:	*10.5	↘
57:	*10.5	↗
58:	9.9	↗
59:	*10.8	↘
60:	*10.6	↘
Serie		96.0
Total		552.0



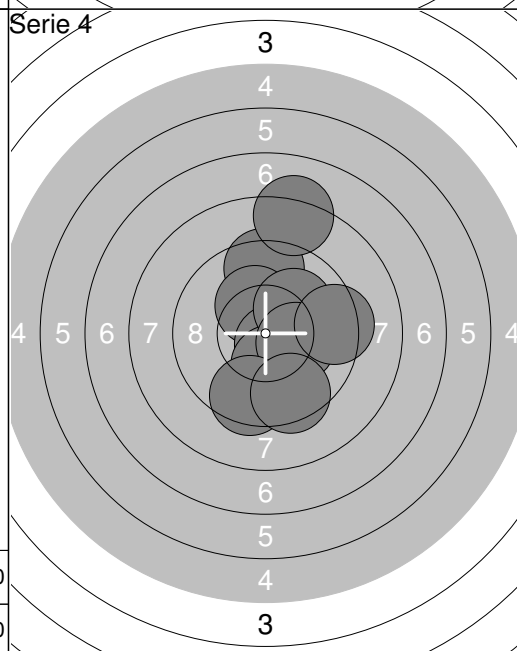
1:	9.8	↘
2:	9.3	↘
3:	8.4	↓
4:	*10.2	↗
5:	7.5	↓
6:	9.3	↘
7:	9.7	↓
8:	9.2	←
9:	*10.8	↗
10:	*10.4	→
Serie	90.0	
Total	90.0	



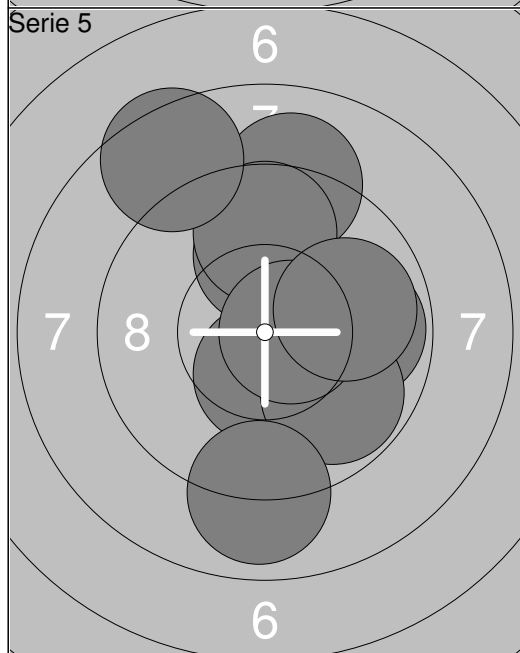
11:	9.2	↘
12:	9.3	↘
13:	10.1	↘
14:	7.8	↗
15:	9.2	↘
16:	9.0	→
17:	8.7	↘
18:	9.2	↘
19:	9.8	→
20:	*10.4	→
Serie	89.0	
Total	179.0	



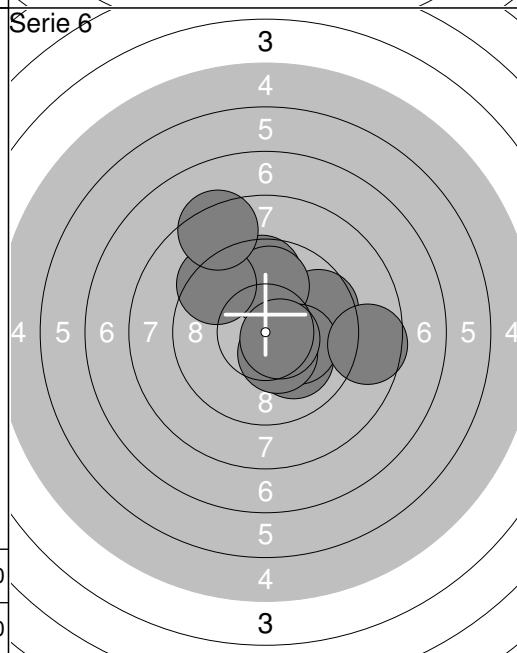
21:	*10.2	↓
22:	*10.6	↙
23:	10.0	↘
24:	8.4	↘
25:	9.6	↗
26:	9.4	↘
27:	10.0	↘
28:	9.3	→
29:	9.4	↗
30:	8.9	↑
Serie	92.0	
Total	271.0	



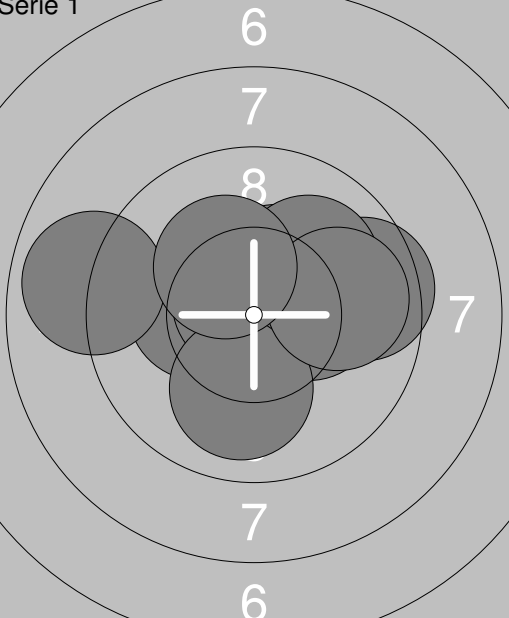
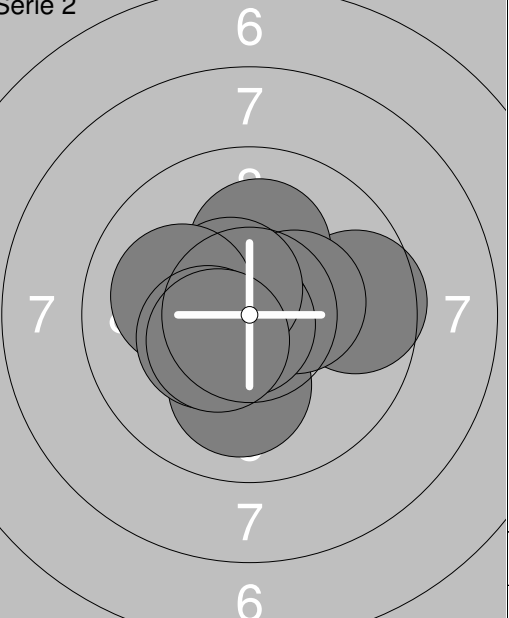
31:	9.5	↑
32:	*10.3	↗
33:	*10.6	↘
34:	*10.2	↘
35:	10.1	↗
36:	*10.2	→
37:	9.5	↓
38:	9.4	→
39:	9.5	↘
40:	8.2	↑
Serie	94.0	
Total	365.0	

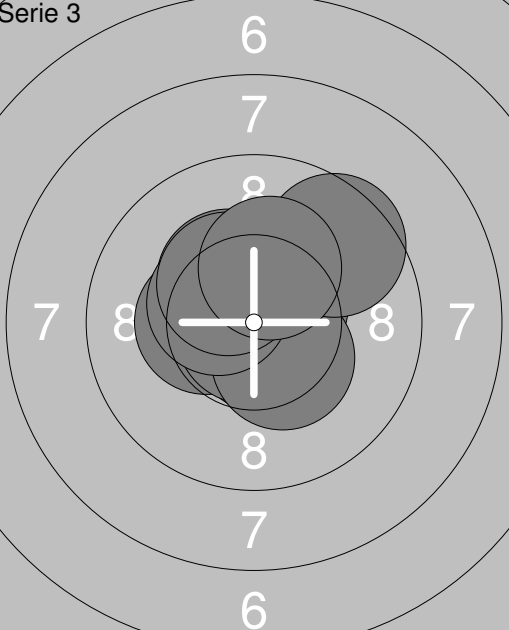
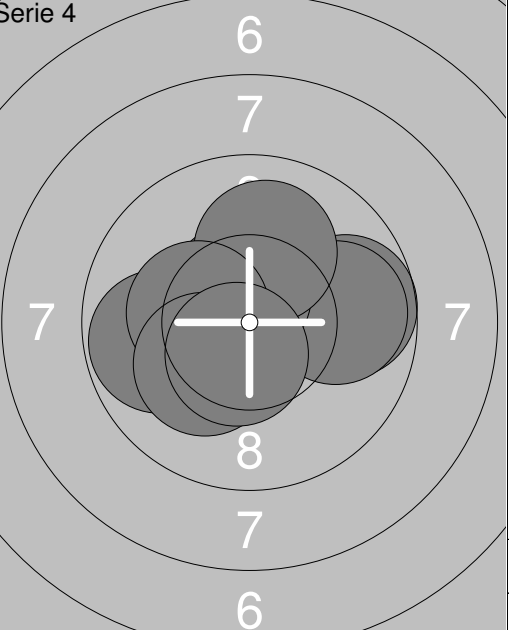


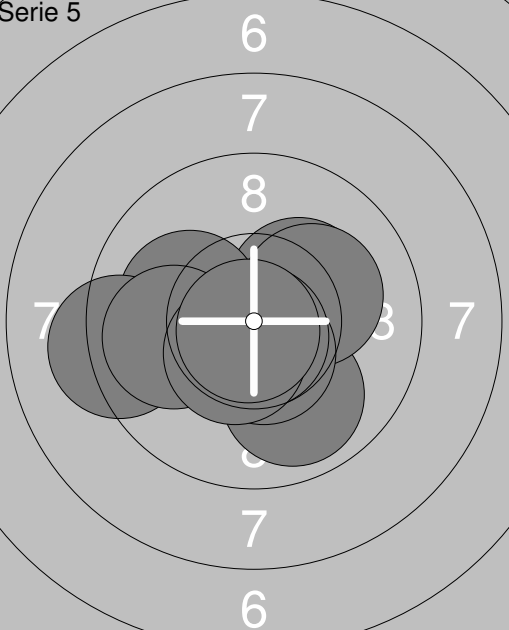
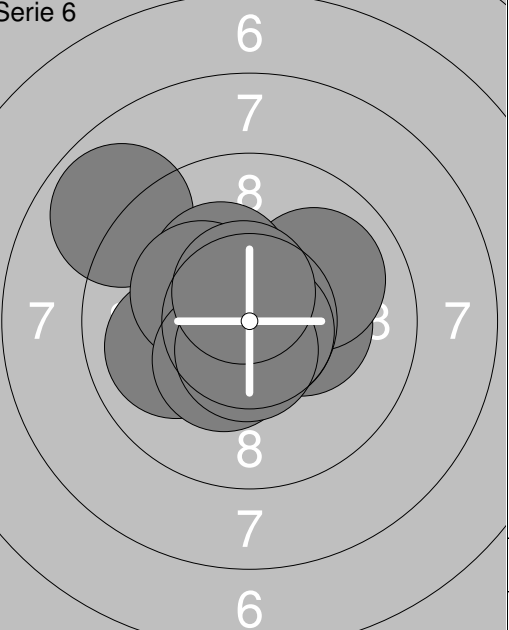
41:	10.0	↑
42:	9.8	→
43:	*10.4	↓
44:	9.8	↘
45:	8.9	↓
46:	9.1	↑
47:	9.7	↑
48:	8.5	↗
49:	*10.6	→
50:	9.9	→
Serie	91.0	
Total	456.0	

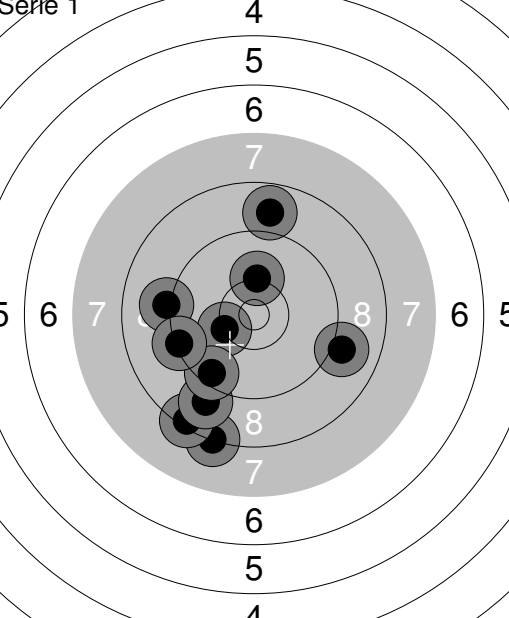
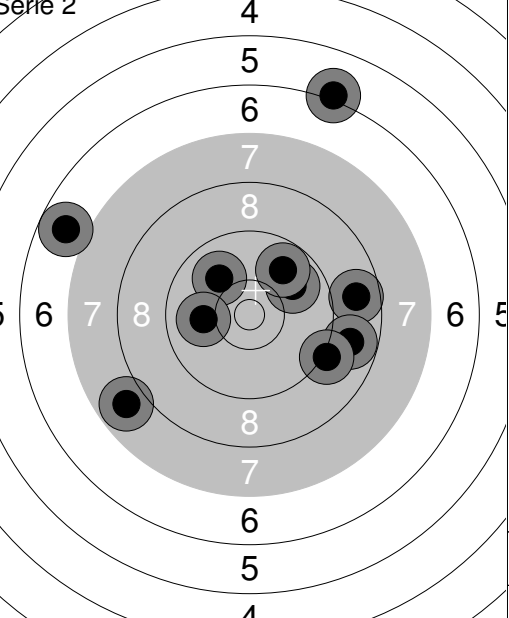


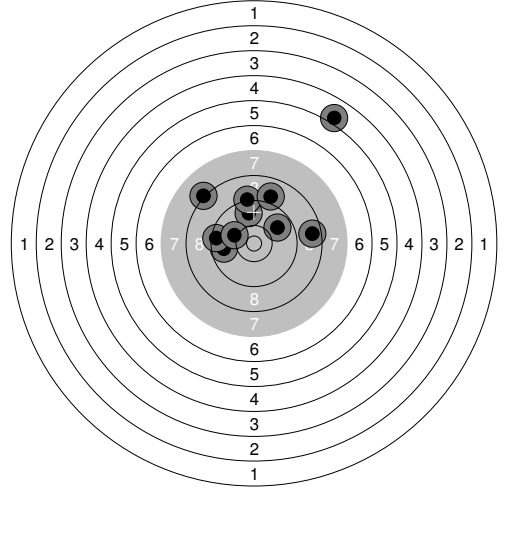
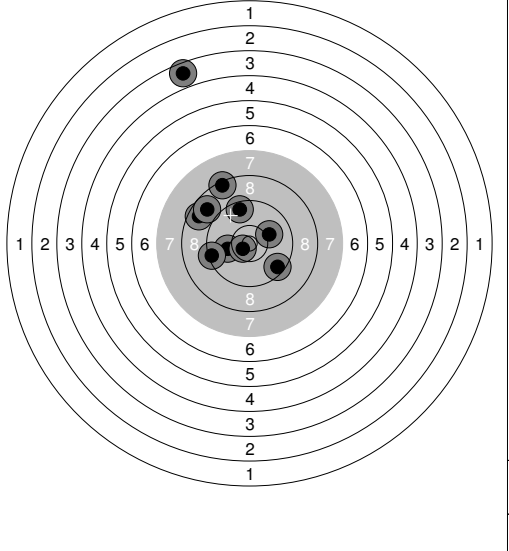
51:	9.7	↑
52:	9.7	↗
53:	9.9	↑
54:	9.4	↗
55:	8.4	↗
56:	10.1	↘
57:	*10.2	↘
58:	*10.4	↘
59:	*10.6	↘
60:	8.6	→
Serie	92.0	
Total	548.0	

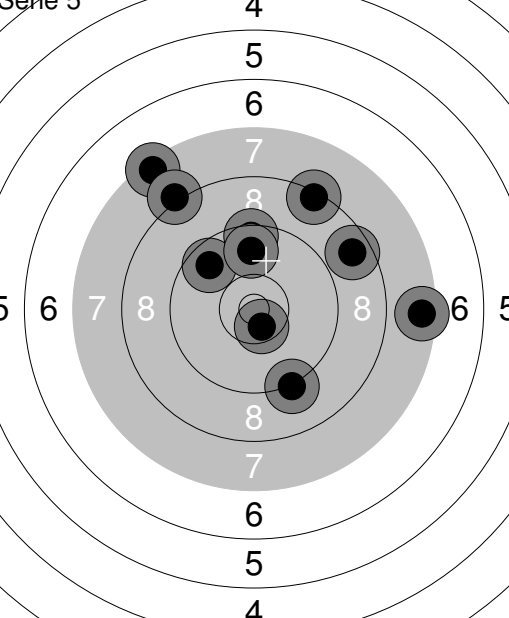
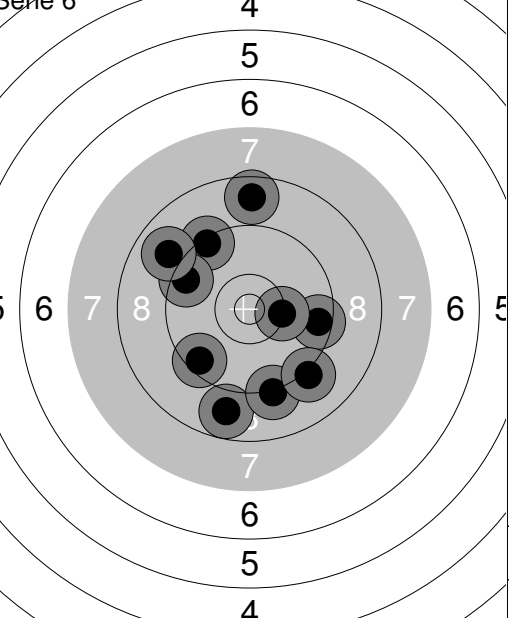
<p>Serie 1</p> 	<p>1: 9.6 →</p> <p>2: *10.4 ↗</p> <p>3: *10.3 ←</p> <p>4: *10.8 ↗</p> <p>5: *10.3 →</p> <p>6: 8.9 ←</p> <p>7: 10.0 ↓</p> <p>8: 10.1 ↗</p> <p>9: 9.9 →</p> <p>10: *10.2 ↖</p> <table border="1" style="width:100%; border-collapse: collapse; margin-top: 10px;"> <tr><td>Serie</td><td style="text-align:right;">96.0</td></tr> <tr><td>Total</td><td style="text-align:right;">96.0</td></tr> </table>	Serie	96.0	Total	96.0	<p>Serie 2</p> 	<p>11: 10.1 ↓</p> <p>12: 9.6 →</p> <p>13: 10.1 ↑</p> <p>14: *10.4 →</p> <p>15: *10.8 ←</p> <p>16: *10.8 ↓</p> <p>17: *10.6 ↗</p> <p>18: 10.1 ←</p> <p>19: *10.4 ↙</p> <p>20: *10.4 ↙</p> <table border="1" style="width:100%; border-collapse: collapse; margin-top: 10px;"> <tr><td>Serie</td><td style="text-align:right;">99.0</td></tr> <tr><td>Total</td><td style="text-align:right;">195.0</td></tr> </table>	Serie	99.0	Total	195.0
Serie	96.0										
Total	96.0										
Serie	99.0										
Total	195.0										

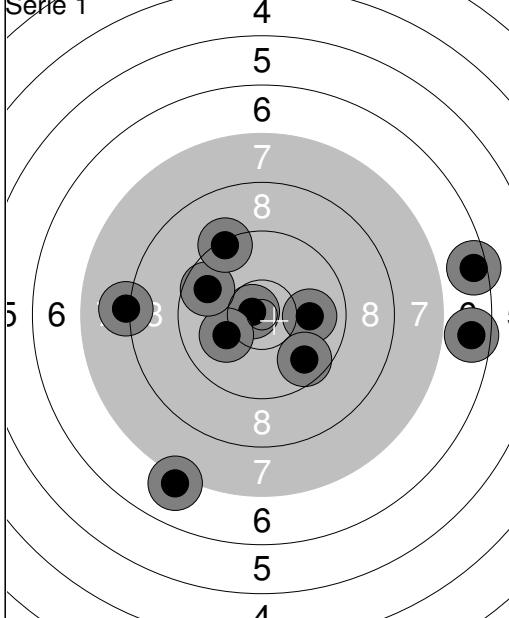
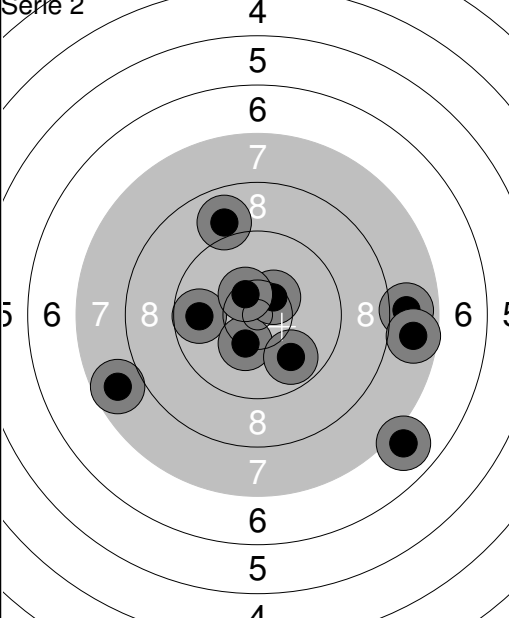
<p>Serie 3</p> 	<p>21: *10.4 ←</p> <p>22: *10.7 ↓</p> <p>23: *10.8 ↓</p> <p>24: *10.3 ↗</p> <p>25: *10.6 ↗</p> <p>26: *10.4 ↓</p> <p>27: *10.4 ←</p> <p>28: 9.6 ↗</p> <p>29: *10.4 ↖</p> <p>30: *10.2 ↑</p> <table border="1" style="width:100%; border-collapse: collapse; margin-top: 10px;"> <tr><td>Serie</td><td style="text-align:right;">99.0</td></tr> <tr><td>Total</td><td style="text-align:right;">294.0</td></tr> </table>	Serie	99.0	Total	294.0	<p>Serie 4</p> 	<p>31: 9.7 →</p> <p>32: *10.8 ←</p> <p>33: *10.3 ←</p> <p>34: 9.9 →</p> <p>35: *10.6 ↑</p> <p>36: 10.0 ↑</p> <p>37: 9.8 ←</p> <p>38: *10.3 ←</p> <p>39: *10.2 ↙</p> <p>40: *10.5 ↓</p> <table border="1" style="width:100%; border-collapse: collapse; margin-top: 10px;"> <tr><td>Serie</td><td style="text-align:right;">97.0</td></tr> <tr><td>Total</td><td style="text-align:right;">391.0</td></tr> </table>	Serie	97.0	Total	391.0
Serie	99.0										
Total	294.0										
Serie	97.0										
Total	391.0										

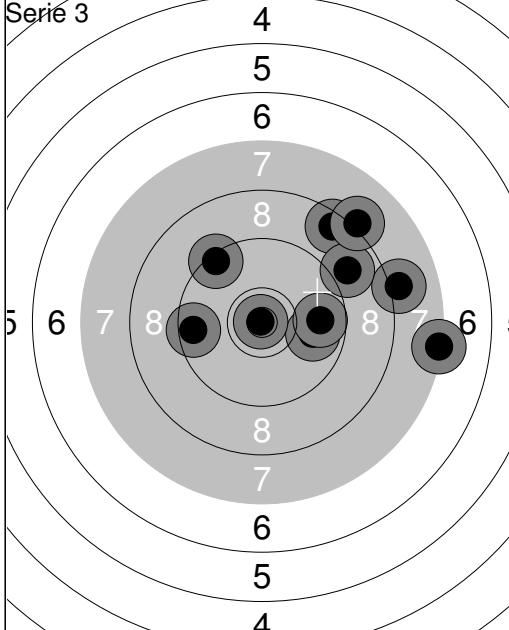
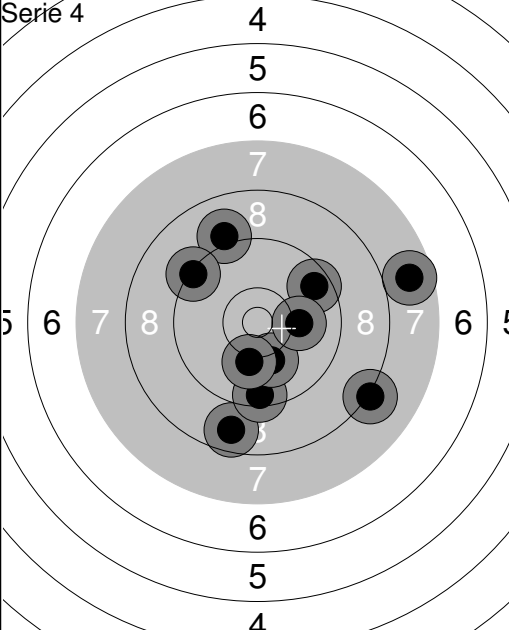
<p>Serie 5</p> 	<p>41: *10.3 ↗</p> <p>42: 9.9 ↓</p> <p>43: 10.1 →</p> <p>44: 10.1 ←</p> <p>45: *10.5 ↓</p> <p>46: 9.2 ←</p> <p>47: *10.7 ↓</p> <p>48: 9.9 ←</p> <p>49: *10.5 ↓</p> <p>50: *10.8 ↓</p> <table border="1" style="width:100%; border-collapse: collapse; margin-top: 10px;"> <tr><td>Serie</td><td style="text-align:right;">97.0</td></tr> <tr><td>Total</td><td style="text-align:right;">488.0</td></tr> </table>	Serie	97.0	Total	488.0	<p>Serie 6</p> 	<p>51: 10.0 ←</p> <p>52: 8.9 ↖</p> <p>53: *10.3 →</p> <p>54: 10.0 ↗</p> <p>55: *10.8 ↓</p> <p>56: *10.2 ↗</p> <p>57: *10.2 ↖</p> <p>58: *10.4 ↓</p> <p>59: *10.6 ↓</p> <p>60: *10.6 ↑</p> <table border="1" style="width:100%; border-collapse: collapse; margin-top: 10px;"> <tr><td>Serie</td><td style="text-align:right;">98.0</td></tr> <tr><td>Total</td><td style="text-align:right;">586.0</td></tr> </table>	Serie	98.0	Total	586.0
Serie	97.0										
Total	488.0										
Serie	98.0										
Total	586.0										

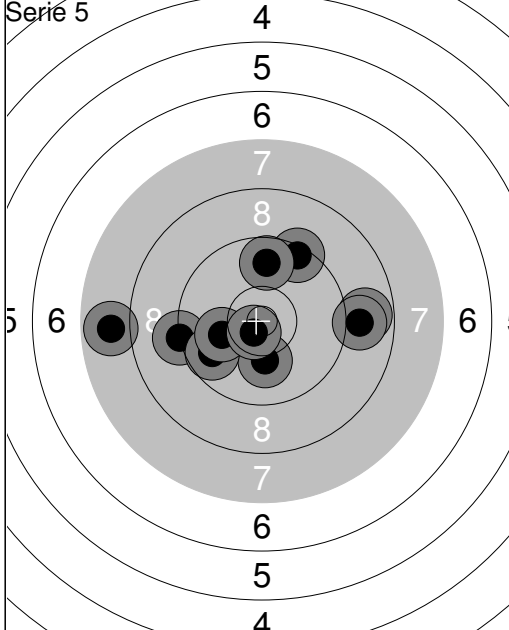
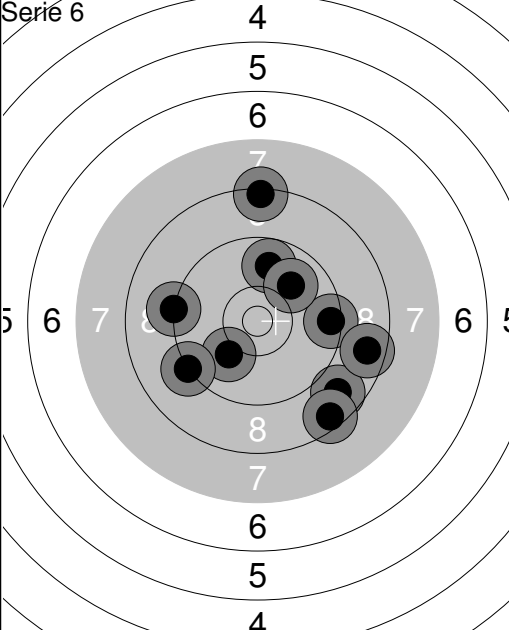
<p>Serie 1</p> 	<p>1: 10.3 ←</p> <p>2: 9.0 →</p> <p>3: 8.3 ↓</p> <p>4: 8.8 ↑</p> <p>5: 8.4 ↓</p> <p>6: 9.1 ←</p> <p>7: 8.9 ↓</p> <p>8: 9.5 ↓</p> <p>9: 9.3 ←</p> <p>10: 10.2 ↑</p>	<p>Serie 2</p> 	<p>11: 8.7 →</p> <p>12: 8.8 →</p> <p>13: 9.9 ↗</p> <p>14: 9.8 ↗</p> <p>15: 6.1 ↑</p> <p>16: 9.2 ↘</p> <p>17: 10.0 ↗</p> <p>18: 6.8 ↖</p> <p>19: 10.0 ←</p> <p>20: 7.8 ↙</p>
Serie 88.0		Serie 82.0	
Total 88.0		Total 170.0	

<p>Serie 3</p> 	<p>21: 8.2 ↖</p> <p>22: 9.7 ↑</p> <p>23: 9.2 ↑</p> <p>24: 9.7 ←</p> <p>25: 9.4 ←</p> <p>26: 9.0 ↑</p> <p>27: 5.0 ↗</p> <p>28: 9.8 ↗</p> <p>29: 8.6 →</p> <p>30: 10.1 ↖</p>	<p>Serie 4</p> 	<p>31: 8.4 ↗</p> <p>32: 8.6 ↖</p> <p>33: 10.1 →</p> <p>34: 3.7 ↑</p> <p>35: 9.5 ↑</p> <p>36: 10.0 ←</p> <p>37: 8.8 ↖</p> <p>38: *10.6 ↙</p> <p>39: 9.4 ←</p> <p>40: 9.5 ↘</p>
Serie 85.0		Serie 84.0	
Total 255.0		Total 339.0	

<p>Serie 5</p> 	<p>41: 7.5 →</p> <p>42: 7.4 ↗</p> <p>43: 8.6 →</p> <p>44: 9.7 ↗</p> <p>45: 8.1 ↗</p> <p>46: 9.5 ↑</p> <p>47: 9.7 ↑</p> <p>48: 9.2 ↓</p> <p>49: 8.3 ↗</p> <p>50: *10.6 ↓</p>	<p>Serie 6</p> 	<p>51: 8.7 ↑</p> <p>52: 9.4 ↗</p> <p>53: 9.5 ↗</p> <p>54: 8.9 ↗</p> <p>55: 8.8 ↓</p> <p>56: 9.2 ↓</p> <p>57: 9.5 →</p> <p>58: 9.1 ↓</p> <p>59: 10.3 →</p> <p>60: 9.5 ↙</p>
Serie 84.0		Serie 88.0	
Total 423.0		Total 511.0	

<p>Serie 1</p> 	<p>1: *10.7 ↙</p> <p>2: 10.1 ↙</p> <p>3: 9.7 ↙</p> <p>4: 6.5 →</p> <p>5: 7.1 ↘</p> <p>6: 9.3 ↗</p> <p>7: 10.0 →</p> <p>8: 8.2 ←</p> <p>9: 6.6 →</p> <p>10: 9.7 ↘</p> <table border="1" style="width:100%; border-collapse: collapse;"> <tr><td>Serie</td><td style="text-align:right;">84.0</td></tr> <tr><td>Total</td><td style="text-align:right;">84.0</td></tr> </table>	Serie	84.0	Total	84.0	<p>Serie 2</p>  <p>11: 7.7 ↙</p> <p>12: 9.8 ←</p> <p>13: 10.3 ↘</p> <p>14: *10.5 ↗</p> <p>15: 7.9 →</p> <p>16: 8.9 ↗</p> <p>17: 7.0 ↘</p> <p>18: *10.5 ↗</p> <p>19: 7.7 →</p> <p>20: 9.9 ↘</p> <table border="1" style="width:100%; border-collapse: collapse;"> <tr><td>Serie</td><td style="text-align:right;">84.0</td></tr> <tr><td>Total</td><td style="text-align:right;">168.0</td></tr> </table>	Serie	84.0	Total	168.0
Serie	84.0									
Total	84.0									
Serie	84.0									
Total	168.0									

<p>Serie 3</p> 	<p>21: 7.3 →</p> <p>22: 9.5 ←</p> <p>23: 9.9 →</p> <p>24: 8.5 ↗</p> <p>25: 9.7 →</p> <p>26: 8.0 →</p> <p>27: *10.9 ←</p> <p>28: 9.4 ↗</p> <p>29: 8.9 ↗</p> <p>30: 8.1 ↗</p> <table border="1" style="width:100%; border-collapse: collapse;"> <tr><td>Serie</td><td style="text-align:right;">85.0</td></tr> <tr><td>Total</td><td style="text-align:right;">253.0</td></tr> </table>	Serie	85.0	Total	253.0	<p>Serie 4</p>  <p>31: 8.2 ↘</p> <p>32: 8.7 ↘</p> <p>33: 7.7 →</p> <p>34: 9.5 ↘</p> <p>35: 9.1 ↗</p> <p>36: 9.6 ↗</p> <p>37: 10.1 ↘</p> <p>38: 9.3 ↗</p> <p>39: 10.1 →</p> <p>40: 10.1 ↘</p> <table border="1" style="width:100%; border-collapse: collapse;"> <tr><td>Serie</td><td style="text-align:right;">89.0</td></tr> <tr><td>Total</td><td style="text-align:right;">342.0</td></tr> </table>	Serie	89.0	Total	342.0
Serie	85.0									
Total	253.0									
Serie	89.0									
Total	342.0									

<p>Serie 5</p> 	<p>41: 9.4 ↗</p> <p>42: 9.2 ←</p> <p>43: 8.8 →</p> <p>44: 10.1 ↘</p> <p>45: 7.8 ←</p> <p>46: 8.9 →</p> <p>47: 9.7 ↙</p> <p>48: 10.1 ←</p> <p>49: 9.7 ↗</p> <p>50: *10.7 ↘</p> <table border="1" style="width:100%; border-collapse: collapse;"> <tr><td>Serie</td><td style="text-align:right;">89.0</td></tr> <tr><td>Total</td><td style="text-align:right;">431.0</td></tr> </table>	Serie	89.0	Total	431.0	<p>Serie 6</p>  <p>51: 9.5 →</p> <p>52: 10.0 ↙</p> <p>53: 9.2 ↙</p> <p>54: 9.8 ↗</p> <p>55: 9.9 ↗</p> <p>56: 8.3 ↗</p> <p>57: 8.8 ↘</p> <p>58: 8.5 ↘</p> <p>59: 8.6 →</p> <p>60: 9.2 ←</p> <table border="1" style="width:100%; border-collapse: collapse;"> <tr><td>Serie</td><td style="text-align:right;">87.0</td></tr> <tr><td>Total</td><td style="text-align:right;">518.0</td></tr> </table>	Serie	87.0	Total	518.0
Serie	89.0									
Total	431.0									
Serie	87.0									
Total	518.0									